

25500024 Rev A1 0620

Safety Message to Installers and Service Personnel of Warning Lights

⚠ WARNING

People's lives depend on your proper installation and servicing of Federal Signal products. It is important to read and follow all instructions shipped with this product. Listed below are some other important safety instructions and precautions you should follow.

- To properly install the lighting system, you must have a good understanding of automotive systems, along with proficiency in the installation and use of safety warning equipment.
- If a vehicle seat is temporarily removed, verify with the vehicle manufacturer if the seat needs to be recalibrated for proper airbag deployment.
- When drilling into a vehicle structure, ensure that both sides of the surface are clear of anything that could be damaged.
- Refer to the instructions included with the light system for the proper electrical connections.
- To be an effective warning device, this product produces bright light that can be hazardous to your eyesight when viewed at close range. Do not stare directly into this lighting product at close range, or permanent damage to your eyesight may occur.
- Frequently inspect the light system to ensure that it is operating properly and that it is securely attached to the vehicle.
- Refer to the instructions packed with related products for additional precautions and information.
- File these instructions in a safe place and refer to them when maintaining or reinstalling the product.

Failure to follow all safety precautions and instructions may result in property damage, serious injury, or death.

Overview

This publication provides instructions for installing AirTabs on the Valor light bar. Due to the combined aerodynamics, some vehicles with a Valor light bar exhibit unwanted noise. When installed on the bottom of the Valor, the AirTabs alleviate the noise.

Unpacking the Product

After unpacking the product, inspect it for damage that may have occurred in transit. If it has been damaged, do not attempt to install or operate it. File a claim immediately with the carrier, stating the extent of the damage. **Failure to identify damage before installation could lead to the rejection of any claim.** Carefully check all envelopes, shipping labels, and tags before removing or destroying them. Ensure that the parts listed in Table 1 are included in the package. If you are missing any parts, contact Federal Signal Customer Support at 1-800-264-3578, 7 a.m. to 5 p.m., Monday through Friday (CT).tighten the nuts.

Table 1 Kit contents

| Qty. | Description | Part Number |
|------|---------------|-------------|
| 4 | AirTab, Black | 865100141 |

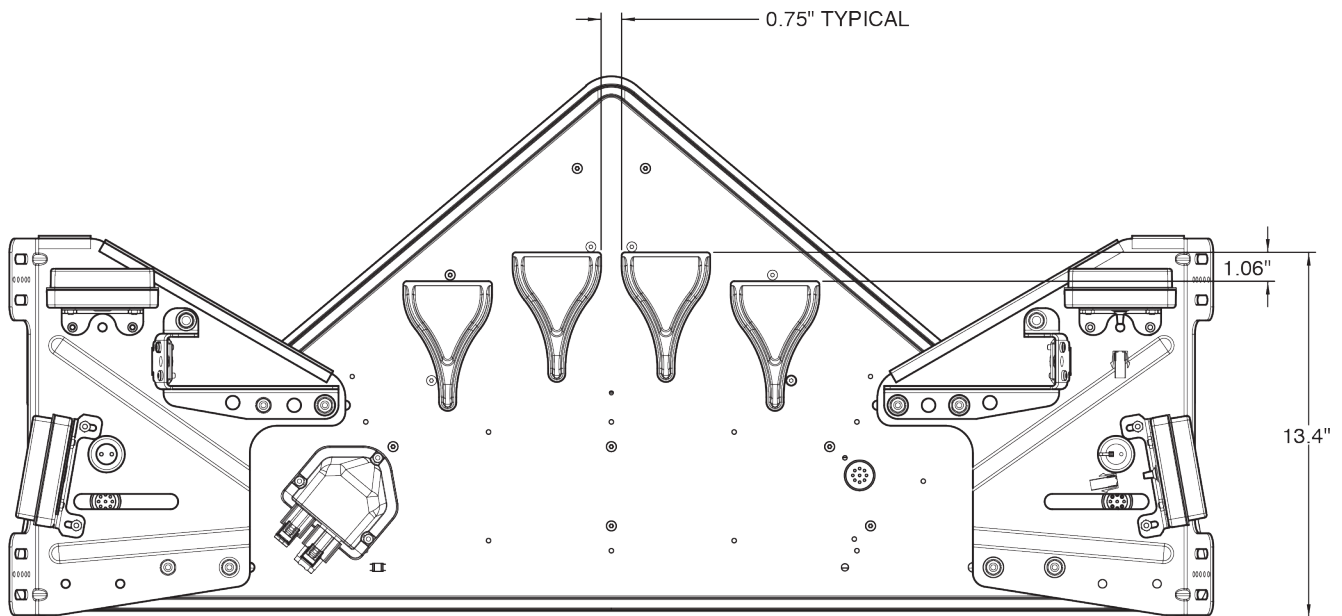
Installing the AirTabs

⚠ WARNING

ADHESION WARNING: The surfaces to which the AirTabs are applied must be clean and dry for proper adhesion. Use isopropyl alcohol (rubbing alcohol) to clean the mounting surfaces.

The four AirTabs are installed on the bottom of the Valor® with the wide end facing front. See Figure 1.

Figure 1 Four AirTabs secured to bottom of Valor



The AirTabs are mounted left to right on 4-inch centers.

From the back of the light bar, the leading edge of the center pair is 13.4 inches or 12.6 inches with HotFoot nose-mounted takedowns that are Opticom compatible. The outer pair sit 1-1/16 inches back from that.

To adhere the AirTabs to the bottom of the light bar, remove the backing paper and press each AirTab firmly in place.

Getting Technical Support

For technical support, please contact:

Federal Signal Corporation
Service Department
Phone: 1-800-433-9132
Email: empSERVICEinfo@fedSIG.com

Getting Repair Service

The Federal Signal factory provides technical assistance with any problems that cannot be handled locally. Any product returned to Federal Signal for service, inspection, or repair must be accompanied by a Return Material Authorization (RMA). Obtain a RMA from a local Distributor or Manufacturer's Representative. Provide a brief explanation of the service requested or the nature of the malfunction.

Address all communications and shipments to the following:

Federal Signal Corporation
Service Department
2645 Federal Signal Dr.
University Park, IL 60484-3167

Limited Warranty

This product is subject to and covered by a limited warranty, a copy of which can be found at www.fedSIG.com/SSG-Warranty. A copy of this limited warranty can also be obtained by written request to Federal Signal Corporation, 2645 Federal Signal Drive, University Park, IL 60484, email to info@fedSIG.com or call +1 708-534-3400.

This limited warranty is in lieu of all other warranties, express or implied, contractual or statutory, including, but not limited to the warranty of merchantability, warranty of fitness for a particular purpose and any warranty against failure of its essential purpose.



FEDERAL SIGNAL
Safety and Security Systems

2645 Federal Signal Drive
University Park, Illinois 60484-3167

www.fedsig.com

Customer Support

Police/Fire-EMS: 800-264-3578 • +1 708 534-3400

Work Truck: 800-824-0254 • +1 708 534-3400

Technical Support: 800-433-9132 • +1 708 534-3400

© Copyright 2012-2020 Federal Signal Corporation