



► Model MOD6032B

Modulator High Powered Omni Speaker

The MOD6032B is a 3200 watt version of the MOD6024B siren. The two middle modules utilize a dual driver for a smaller compact siren design.

Federal Signal's Modulator High Powered Speaker Array offers the same proven technology as the original Modulator with the exception of a smaller compact chassis. Modulator sirens provides a flat frequency response up to 2000Hz producing intense warning signals and digital voice messaging over a large area. The Modulator design enables the siren to produce a high sound level and intelligible voice communications.

The innovative omni-directional electronic Modulator speaker array consists of modules that utilize 100 watt drivers. It also provides clear voice communication and offers warning signals which are produced by Federal Signal's UltraVoice™ electronic controller and amplifier system. Custom tones and professionally recorded voice messages for the UltraVoice controller are available and can be purchased upon request.

The Modulator High Powered Speaker Array combined with the UltraVoice controller is ideal for community/municipal, industrial and military applications where immediate instruction is necessary.

The Modulator and UltraVoice controller can be networked via radio, IP, landline, cellular and/or satellite communications. Powering is available in AC, DC, or solar. The system typically operates from batteries which are charged from either AC or Solar. Federal Signal can also provide customized solutions to fit your special applications.

FEATURES

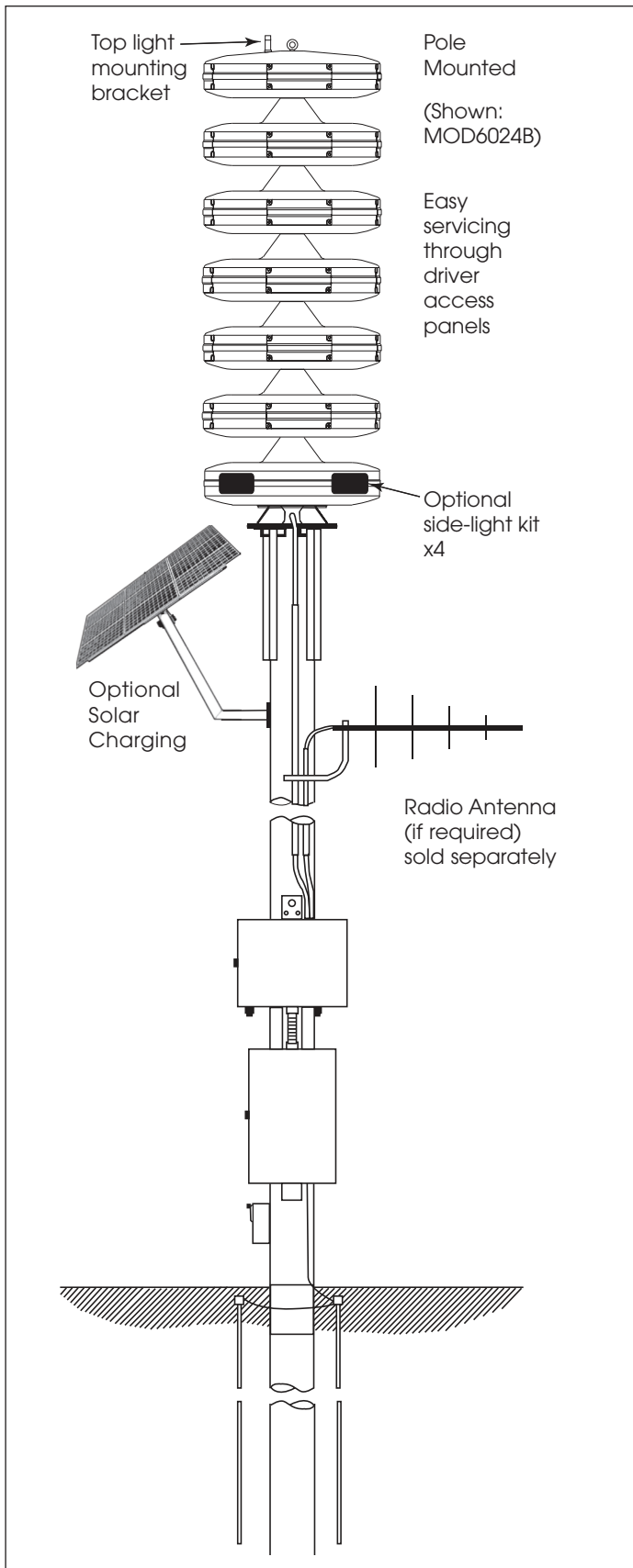
- Light-weight, compact design
- Utilizes Federal Signal Ultravoic™ for control and amplification
- Excellent frequency response for clear voice reproduction
- Optional visual indicators
- 360° coverage without sound variation in horizontal planes
- Easy servicing through convenient access panels
- Anechoic chamber-certified

MODEL	ACTIVE MODULES	TOTAL WATT	DECIBELS @ 100'¹	EFFECTIVE RANGE @ 70 dBc	HEIGHT		NET WEIGHT		SHIPPING WT	
					IN	MM	LBS	KG	LBS	KG
MOD6032B	6	3200	123 dBc	4,000'	101"	256.5	480	218	990	450

¹Based on farfield measurements

*Photo shown with optional visual indicators

Modulator® High Powered Omni Speaker (MOD)



SPECIFICATIONS

Frequency Response:	200-2000Hz
Color	Off-White
Paint Type	TGIC-polyester powder coat
Modulator Horn Type	Hyperbolic flare
Horizontal Coverage	360° +/- 1 dB(C)
Diameter	35"/88.9cm
Wind Loading @ 110mph wind velocity ² :	
MOD6032B	881 lbs

² Wind loading is the calculated force of wind at 110mph (shoreline), exposure D (flat, unobstructed coastal areas) on frontal area 4.64 ft. per American National Standards Institute A58.1 "Minimum design loads for buildings and other structures."

HOW TO ORDER

Contact our Federal Signal Sales Engineers to design a system that meets your specific requirements.

Specify speaker array model number – each speaker array model must be ordered with a specific corresponding UV and Amplifier.

Speaker	Controller³
MOD6032B	UV + 8 UV400

³ Controllers available in Radio, IP, and Landline.

Note: 40 feet of cable is supplied with siren. Extension cable in 10 foot increments is also available. Mounting the UV controller further than 100 feet is not recommended (further mounting may decrease power output).

REPLACEMENT PART

Description	Part Number
Driver, 100 watt	K8570063A