

# PA300-100

100 Watt Siren



## FEATURES

- 100 W siren with PA and noise-canceling microphone
- Siren tones, PA, Radio Rebroadcast and Air Horn
- Library of selectable siren tones
- Horn Ring Transfer and Park Kill
- (4) programmable inputs, plus dedicated inputs for park, horn, and ignition
- Convergence Network Configuration Software allows for easy customization of the siren
- (2) FS Convergence Network ports
- Standard voice messages available in English, Spanish and French Canadian to broadcast alerts. Custom voice messages available for an additional fee
- Five-year warranty

## APPROVAL

- SAE J1849

## FS TECHNOLOGY



PA300-100 is a compact, programmable siren available with self-contained controls. PA300-100 is easy to install and incorporates Convergence Network Configuration Software to provide a high-level of customizable control capability. Convergence Network Configuration Software is available as a download from the Federal Signal website making it easy to program one vehicle – or an entire fleet – from your laptop.

### Controller Features

The control faceplate includes a seven-position rotary switch, volume control, speaker diagnostics, and (2) backlit buttons. The buttons are programmable and can be programmed for press-on, press-off, momentary, and multiple different blinking styles. The button brightness can be dimmed or turned off for stealth operation. Button color can be programmed through the Convergence Network Configuration Software and can be programmed in Red or Blue.

PA300-100 is designed to detect speaker faults. The diagnostic LED is available on the front of the keypad and is fully programmable. Diagnostic LED can be set to steady burn or flash when the siren detects a fault or normal operation for the speaker.

### Amplifier Features

PA300-100 default siren tones include wail, yelp, priority, HI-LO, and air horn. A library of other selectable siren tones is available in the software. PA300-100 also includes two serial ports to be used with FS Convergence Network devices such as light bars or directional warning lights for easy “plug-and-play” installation. Other features include horn ring transfer, public address with included microphone, and radio rebroadcast.

PA300-100 has connections for four general-purpose input circuits, plus dedicated inputs for park, horn, and ignition. Ignition is an active-high only input, while all other inputs are programmable for active-high or active-low.

### Programming Software Features

The Convergence Network Configuration Software is available as a download from the FS website and siren configurations can be created via laptop computer. Configured programs can be extracted, modified, and stored for ease of service and reuse. The Federal Signal Convergence Network allows the user to “plug-and-play” simply by connecting the siren to the vehicle’s light bar. PA300-100 gives the user the ability to clone an entire fleet of siren functions. The user simply connects the PA300-100 to a PC and downloads the functions of the programmed software onto a USB drive to download functions to each siren.

## HOW TO ORDER

PA300-100 Siren with self-contained controls, 100 W

## SPECIFICATIONS

AUDIO OUTPUT POWER	100 W
INPUT VOLTAGE	11/28 Vdc
NOMINAL OUTPUT VOLTAGE	64 V peak-to-peak
STANDBY CURRENT	< 0.1 A
MAX INPUT CURRENT	10 A
OPERATING TEMP	-40° to +176° F (-40° to +80° C)
POLARITY	Negative ground only
FREQUENCY RANGE	182 to 1600 Hz

### PHYSICAL SPECIFICATIONS

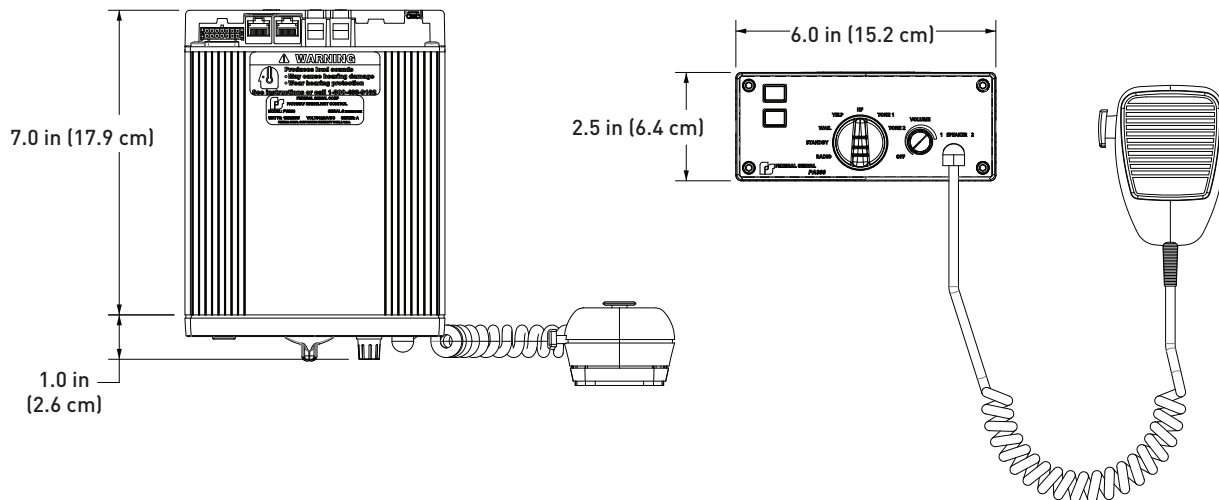
HEIGHT	2.5 in (6.4 cm)
WIDTH	6.0 in (15.2 cm)
LENGTH	8.1 in (20.5 cm)

### SHIP WEIGHT

3.9 lb (1.8 kg)



## PA300-100 DIMENSIONS



Warning: Sirens and Speakers may produce LOUD sounds necessary to request the right-of-way. Sirens and Speakers may cause hearing damage. Wear hearing protection.