

25500887 Rev A0 0923

Safety Message to Installers and Service Personnel of Emergency Vehicle Safety Equipment

⚠ WARNING

People's lives depend on your proper installation and servicing of Federal Signal products. It is important to read and follow all instructions shipped with this product. Listed below are some other important safety instructions and precautions you should follow:

- To properly install the lighting system, you must have a good understanding of automotive systems, along with proficiency in the installation and use of safety warning equipment.
- Do not install equipment or route wiring in the deployment path of an airbag.
- If a vehicle seat is temporarily removed, verify with the vehicle manufacturer if the seat needs to be recalibrated for proper airbag deployment.
- Frequently inspect the light system to ensure that it is operating properly and is securely attached to the vehicle.
- When drilling into a vehicle structure, ensure that both sides of the surface are clear of anything that could be damaged.
- Refer to the instructions packed with related products for additional precautions and information.
- Do not stare directly into the lights at a close range, or permanent damage to your eyesight may occur.
- File these instructions in a safe place and refer to them when maintaining and/or reinstalling the product.

Failure to follow all safety precautions and instructions may result in property damage, serious injury, or death.

Introduction

This publication has instructions for using the MPSM6-DU22RS Mounting Kit to mount six MicroPulse 6 light heads to the rear spoiler of the 2022 Dodge Durango.

NOTE: For electrical installation instructions, refer to the Installation and Maintenance Instructions packed with the lighthouse.

Unpacking the Product

After unpacking the product, inspect it for damage that may have occurred in transit. If it has been damaged, do not attempt to install or operate it. File a claim immediately with the carrier, stating the extent of damage.

Failure to identify damage before installation could lead to rejection of any claim. Carefully check all envelopes, shipping labels, and tags before removing or destroying them. Ensure that the parts listed in Table 1 are included in the package. If you are missing any parts, contact Federal Signal Customer Support at 1-800-264-3578, 7 a.m. to 5 p.m., Monday through Friday (CT).

Table 1 Kit contents

Qty.	Description	Part Number
1	Driver-Side Durango Spoiler Bracket	861304375-DS
1	Passenger-Side Durango Spoiler Bracket	861304375-PS
6	Hex Washer HD 1/4" Screw	7011183-12
6	1/4" Stainless Steel Lockwasher	7074A016
12	Stainless Steel Phillips® Pan-Head 6-32 Machine Screw	7000491-08
12	6-32, Stainless Steel 6-32 Keps® Ext. Hex Nut	7058A046

Installing the Brackets

⚠ WARNING

AIRBAG DEPLOYMENT: Do not install equipment or route wiring in the deployment path of an airbag. Failure to observe this warning will reduce the effectiveness of the airbag or potentially dislodge the equipment, causing serious injury or death.

IMPORTANT: Plan all cable routing before the installation.

NOTICE

DRILLING PRECAUTION: When drilling holes, check the area you are drilling into to be sure you do not damage vehicle components. All drilled holes should be deburred and all sharp edges should be smoothed. All wire routings going through drilled holes should be protected by a grommet or convolute/split loom tubing.

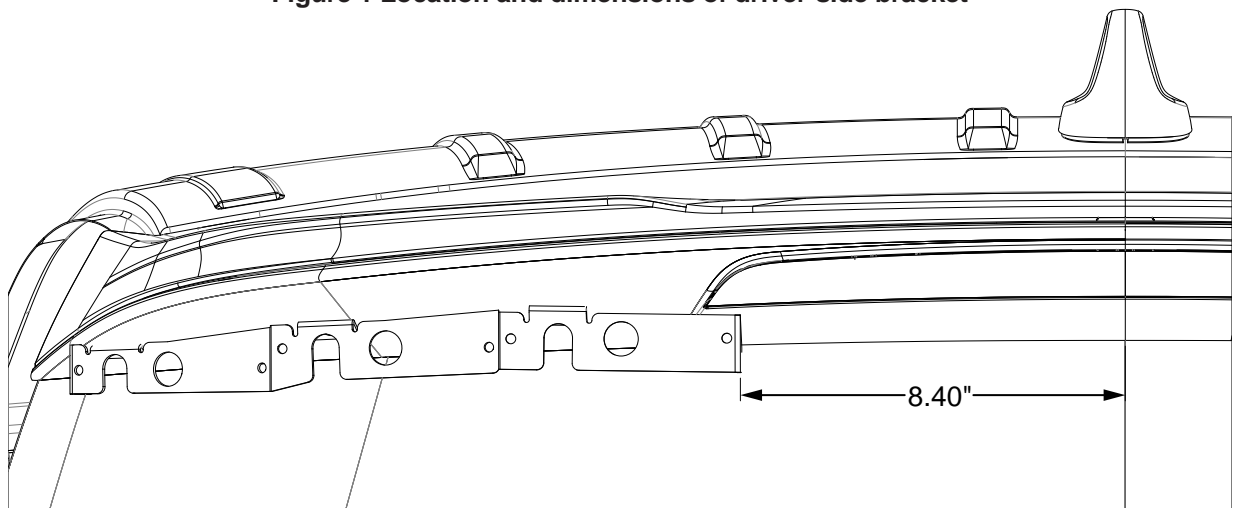
Following the vehicle manufacturer's instructions, remove the rear spoiler assembly.

To mount the light head:

1. Position the brackets as shown and mark the six mounting holes. Drill the mounting holes using a 3/16-inch drill bit.

NOTE: The driver-side and passenger-side brackets and mounting are symmetric. See Figure 1.

Figure 1 Location and dimensions of driver-side bracket



2. Mount the brackets with 1/4-inch hex head screws and 1/4-inch lockwashers.
3. Install the light heads (not included) to both brackets using the 6-32 screws and nuts.

4. Reinstall the spoiler.
5. Complete the wiring according to the instructions supplied with the light heads.

⚠ WARNING

LIGHT HAZARD: *To be an effective warning device, an emergency warning system produces bright light that can be hazardous to your eyesight when viewed at a close range. Do not stare directly into the lights at a close range, or permanent damage to your eyesight may occur.*

6. Test the lights for proper operation.

Testing the Installation

⚠ WARNING

SOUND HAZARD: *All effective sirens and horns produce loud sounds (120 dB) that may cause permanent hearing loss. Always minimize your exposure to the sound of the siren and horn and wear hearing protection. Do not sound the siren or horn indoors or in enclosed areas where you and others will be exposed to the sound.*

⚠ WARNING

LIGHT HAZARD: *To be an effective warning device, an emergency warning system produces bright light that can be hazardous to your eyesight when viewed at a close range. Do not stare directly into the lights at a close range, or permanent damage to your eyesight may occur.*

After testing the flasher, test the emergency warning system to ensure that it is operating properly. Also test all vehicle functions, including horn operation, vehicle safety functions, and vehicle lighting systems to ensure proper operation. Ensure that the installation has not affected the vehicle operation or changed any vehicle safety functions or circuits. After testing is complete, provide a copy of these instructions to the instructional staff and all operating personnel.

Do not test the sound and light system of the vehicle while driving. Operating the vehicle warning systems may pose a hazard to the operator or others if the systems do not function as expected. Test the vehicle only in a controlled environment.

Getting Technical Support

For technical support, please contact:

Federal Signal Corporation
Service Department
Phone: 1-800-433-9132
Email: empSERVICEinfo@fedSIG.com

Getting Repair Service

The Federal Signal factory provides technical assistance with any problems that cannot be handled locally. Any product returned to Federal Signal for service, inspection, or repair must be accompanied by a Return Material Authorization (RMA). Obtain an RMA from a local Distributor or Manufacturer's Representative. Provide a brief explanation of the service requested or the nature of the malfunction.

Address all communications and shipments to the following:

Federal Signal Corporation
Service Department
2645 Federal Signal Dr.
University Park, IL 60484-3167

Limited Warranty

This product is subject to and covered by a limited warranty, a copy of which can be found at www.fedSIG.com/SSG-Warranty. A copy of this limited warranty can also be obtained by written request to Federal Signal Corporation, 2645 Federal Signal Drive, University Park, IL 60484, email to info@fedSIG.com or call +1 708-534-3400.

This limited warranty is in lieu of all other warranties, express or implied, contractual or statutory, including, but not limited to the warranty of merchantability, warranty of fitness for a particular purpose and any warranty against failure of its essential purpose.



2645 Federal Signal Drive
University Park, Illinois 60484

www.fedSIG.com

Customer Support

Police/Fire-EMS: 800-264-3578 • +1 708 534-3400

Work Truck: 800-824-0254 • +1 708 534-3400

Technical Support 800-433-9132 • +1 708 534-3400

© Copyright 2023 Federal Signal Corporation