

25500780 A1 0523

Safety Messages for Installers of Warning Light Equipment

People's lives depend on your safe installation of our products. It is important to read, understand, and follow all instructions shipped with the products. Listed below are some other important safety instructions and precautions you should follow:

- To properly install this light, you must have a good understanding of automotive electrical procedures and systems, along with proficiency in the installation and use of safety warning equipment.
- Do not install equipment or route wiring in the deployment path of an airbag.
- If a vehicle seat is temporarily removed, verify with the vehicle manufacturer if the seat needs to be recalibrated for proper airbag deployment.
- When drilling into a vehicle structure, ensure that both sides of the surface are clear of anything that could be damaged.
- Locate the light control so the VEHICLE and CONTROL can be operated safely under all driving conditions.
- Do not attempt to activate or deactivate the light control while driving in a hazardous situation.
- Frequently inspect the light to ensure that it is operating properly and that it is securely attached to the vehicle.
- This product contains high-intensity LEDs. Do not stare directly into the lights at a close range, or permanent damage to your eyesight may occur.
- Refer to the instructions packed with related products for additional precautions and information.
- File these instructions in a safe place and refer to them when maintaining and/or reinstalling the product.

Failure to follow all safety precautions and instructions may result in property damage, serious injury, or death.

Unpacking the Kit

After unpacking the kit, examine it for damage that may have occurred in transit. If the product has been damaged, file a claim immediately with the carrier stating the extent of the damage. Carefully check all envelopes, shipping labels, and tags before removing or destroying them. Ensure that all parts in the packing list are included in the shipment. If any parts are missing, call Federal Signal Customer Support at 1-800-264-3578, 7 a.m. to 5 p.m., Monday through Friday, Central Time.

Table 1 Kit contents

Qty.	Description	Part Number
1	Driver Side Spoiler Bracket	861303615-DS
1	Passenger Side Spoiler Bracket	861303615-PS
2	Silverado Spoiler Cover	861303616
6	1/4-inch Hex Washer Head Heavy Duty Stainless Steel Screw	7011183-12
6	1/4-inch Stainless Steel Lockwasher	7074A016
6	6-lobe 8-32 TT Black Screw	70000143-06
12	6-32 Phillips® Pan Head, Stainless Steel Machine Screw	70000491-08
12	6-32 Stainless Steel Keps® Nut	7058A046

Product Overview

This publication has instructions for using the Model MPS6U-SIL19RS6 bracket kit to mount MicroPulse 6 lights in a 2019+ Chevrolet Silverado 1500, 2020+ Chevrolet Silverado 2500HD, and 2020+ Chevrolet Silverado 3500HD.

Installing the MPS6U-SIL19RS6 Mounting Bracket Kit

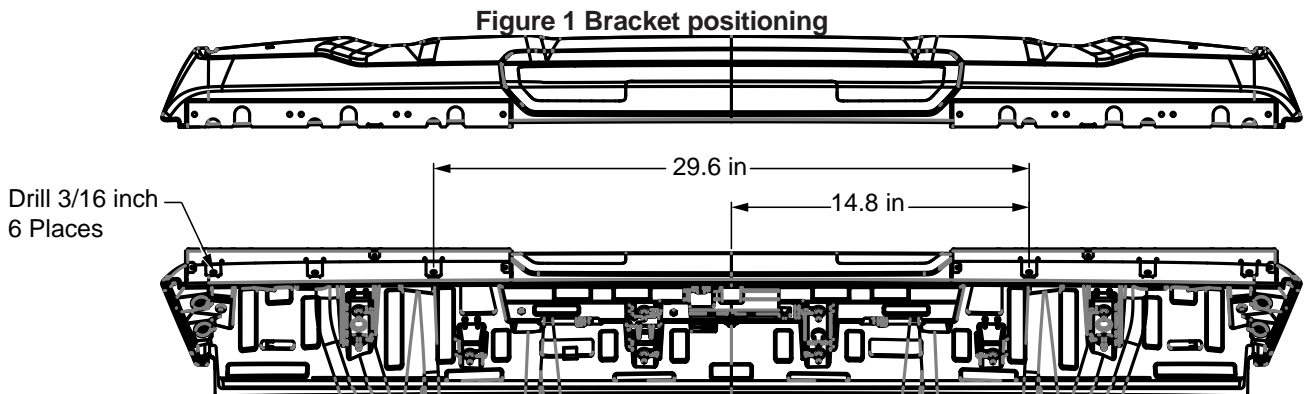
⚠ WARNING

AIRBAG DEPLOYMENT: Do not install equipment or route wiring in the deployment path of an airbag. Failure to observe this warning will reduce the effectiveness of the airbag or potentially dislodge the equipment, causing serious injury or death.

IMPORTANT: Plan all cable routing before the installation.

To install the mounting bracket kit:

1. Following the vehicle manufacturer’s instructions, remove the rear spoiler assembly.
2. Position the brackets as shown, and mark the six mounting holes. See Figure 1.

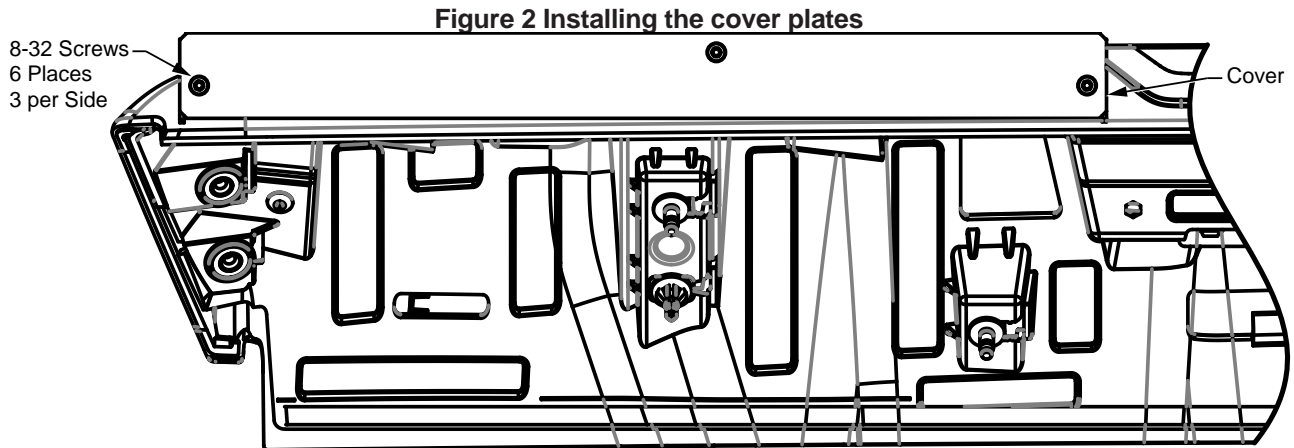


NOTICE

DRILLING PRECAUTIONS: When drilling holes, check the area you are drilling into to ensure that you do not damage vehicle components. All drilled holes should be deburred, and all sharp edges should be smoothed. All wire routings going through drilled holes should be protected by a grommet or convolute/split loom tubing.

3. With a 3/16-inch drill, drill the mounting holes through the spoiler.

4. Plan the wire routing. Drill through the vehicle structure if necessary.
5. Mount the brackets with 1/4-inch hex head screws and 1/4-inch lockwashers.
6. Install the light heads (not included) to both brackets with the supplied 6-32 screws and Keps® nuts.
7. Reinstall the spoiler.
8. Complete the wiring per the instructions supplied with the light heads.
9. Install the cover plates with the black 8-32 thread-forming screws. See Figure 2.



⚠ WARNING

LIGHT HAZARD: *To be an effective warning device, an emergency warning system produces bright light that can be hazardous to your eyesight when viewed at a close range. Do not stare directly into the lights at a close range, or permanent damage to your eyesight may occur.*

10. Test the lights for proper operation.

Getting Technical Support and Service

For technical support and service, please contact:

Service Department
Federal Signal Corporation
Phone: 1-800-433-9132
Email: empserviceinfo@fedsig.com
www.fedsig.com

Six-Head Spoiler-Mount Kit for MicroPulse® 6 on the Chevrolet® Silverado®

Getting Repair Service

The Federal Signal factory provides technical assistance with any problems that cannot be handled locally.

Any units returned to Federal Signal for service, inspection, or repair must be accompanied by a Return Material Authorization (RMA). Obtain an RMA from a local Distributor or Manufacturer's Representative.

Provide a brief explanation of the service requested or the nature of the malfunction.

Address all communications and shipments to the following:

Federal Signal Corporation
Service Department
2645 Federal Signal Drive
University Park, IL 60484-3167

Ordering Replacement Parts

To order replacement parts, call Customer Support at 1-800-264-3578, 7 a.m. to 5 p.m., Monday through Friday (CT), or contact your nearest distributor.

Limited Warranty

This product is subject to and covered by a limited warranty, a copy of which can be found at www.fedsig.com/SSG-Warranty. A copy of this limited warranty can also be obtained by written request to Federal Signal Corporation, 2645 Federal Signal Drive, University Park, IL 60484, email to info@fedsig.com or call +1 708-534-3400.

This limited warranty is in lieu of all other warranties, express or implied, contractual or statutory, including, but not limited to the warranty of merchantability, warranty of fitness for a particular purpose and any warranty against failure of its essential purpose.



2645 Federal Signal Drive
University Park, Illinois 60484-3167

www.fedsig.com

Customer Support

Police/Fire-EMS: 800-264-3578 • +1 708 534-3400

Work Truck: 800-824-0254 • +1 708 534-3400

Technical Support: 800-433-9132 • +1 708 534-3400

© Copyright 2022-2023 Federal Signal Corporation

All product names or trademarks are properties of their respective owners.