

25500177 Rev. A1 0121

Safety Message to Installers of Warning Light Equipment

▲ WARNING

People's lives depend on your proper installation and servicing of Federal Signal products. It is important to read and follow all instructions shipped with this product and the original product. Listed below are some other important safety instructions and precautions you should follow:

- To properly install the lighting system, you must have a good understanding of automotive systems, along with proficiency in the installation and use of safety warning equipment.
- Do not install equipment or route wiring in the deployment path of an airbag.
- If a vehicle seat is temporarily removed, verify with the vehicle manufacturer if the seat needs to be recalibrated for proper airbag deployment.
- Frequently inspect the light system to ensure that it is operating properly and that it is securely attached to the vehicle.
- When drilling into a vehicle structure, ensure that both sides of the surface are clear of anything that could be damaged.
- Refer to the instructions packed with related products for additional precautions and information.
- File these instructions in a safe place and refer to them when maintaining and/or reinstalling the product.
- Do not stare directly into the lights at a close range, or permanent damage to your eyesight may occur.

Failure to follow all precautions and instructions may result in property damage, serious injury, or death.

Introduction

This publication has instructions for using the MBK04 Mounting Kit to mount the MB1 Message Board to an Integrity, Legend, LPX, or Navigator light bar. The mounting foot kit supplied with the light bar, and the vehicle-specific mounting hook kit (Hook Mount only), purchased separately, complete the installation.

For electrical installation instructions, refer to the Installation and Maintenance Instructions packed with the Message Board and light bar.

Unpacking the Kit

After unpacking the kit, inspect it for damage that may have occurred in transit. If it has been damaged, do not attempt to install or operate it. File a claim immediately with the carrier, stating the extent of the damage. Carefully check all envelopes, shipping labels, and tags before removing or destroying them. Ensure that the parts listed in Table 1 are included in the package. If you are missing any parts, contact Customer Support at 1-800-264-3578, 7 a.m. to 5 p.m., Monday through Friday (CT).

Table 1 Kit contents

| Qty. | Description | Part Number |
|------|--|--------------|
| 1 | MB1-INTG/LGD/NVG Driver Side Bracket | 865301110-DS |
| 1 | MB1-INTG/LGD/NVG Passenger Side Bracket | 865301110-PS |
| 2 | 2-inch Riser Bracket | 865300731 |
| 12 | 5/16-18 Square Neck Carriage Bolt | 7004025-16 |
| 12 | 5/16-18 High Corrosion Resistant Nut | 7059125 |
| 12 | 344 x 0.75 x 0.05-inch Stainless Steel Flat Washer | 7072A031 |
| 12 | Split 5/16-inch Stainless Steel Lockwasher | 7074A020 |

Mounting the Message Board

⚠ WARNING

AIRBAG DEPLOYMENT: *Do not install equipment or route wiring in the deployment of an airbag. Failure to observe this warning will reduce the effectiveness of the airbag or potentially dislodge the equipment, causing serious injury or death.*

⚠ WARNING

DRILLING PRECAUTIONS: *Before drilling holes, check the area into which you plan to drill to ensure that you do not damage vehicle components while drilling. All drilled holes should be de-burred, and all sharp edges should be smoothed. All wires going through drilled holes should be protected by a grommet or convolute/split-loom tubing.*

To mount the MB1 Message Board to the light bar:

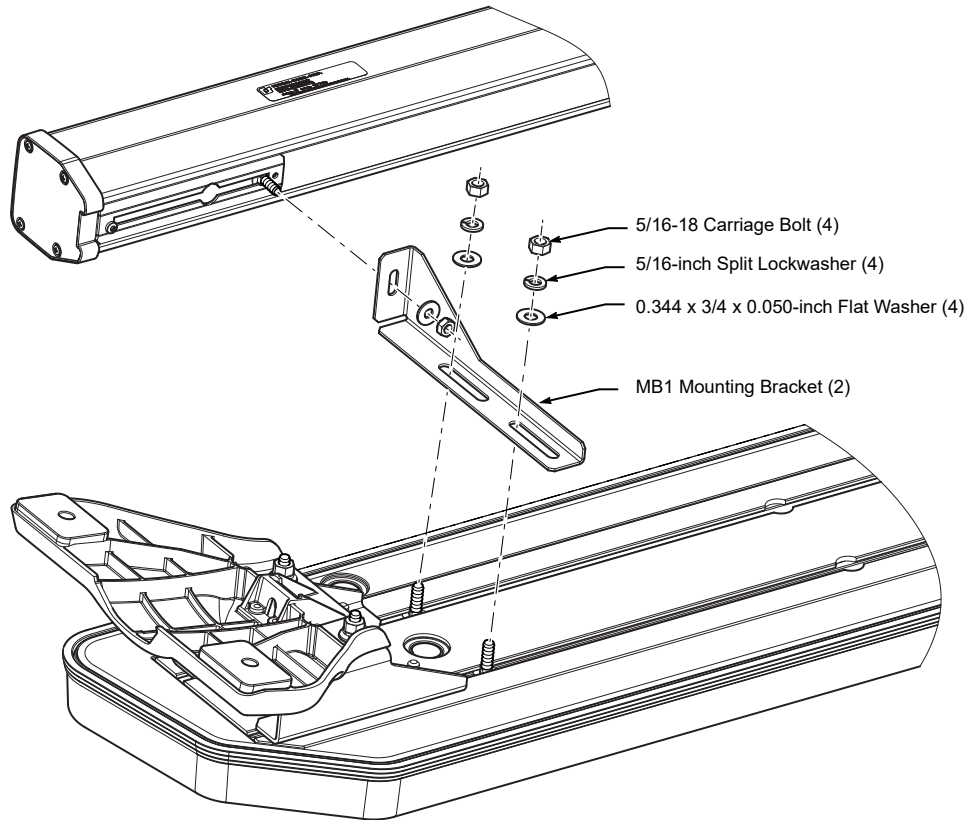
1. Install the risers according to the included 2562639 instruction sheet.
2. Prepare the light bar for installation up through step 6 of “Installing the Light Bar on the Vehicle Roof” in doc. no. 2562639 (Instructions for Installing the Integrity or Legend with the Riser Bracket Mounting Kit).
3. Install the DS and PS brackets with the 5/16-inch carriage bolts, washers, and nuts. Finger-tighten the nuts only at this time.
4. Attach the MB1 Message Board to the mounting brackets with the 1/4-inch carriage bolts, nuts, and washers supplied with the Message Board. Choose either the inner or outer slot as needed to avoid the carriage bolt access hole. Adjust the driver side and passenger side brackets left and right and forward and back for the desired fit. Tighten all fasteners.
5. Complete mounting the light bar on the vehicle per the 2562689 instructions
6. Complete the wiring according to the instructions supplied with the light bar and Message Board.

⚠ WARNING

LIGHT HAZARD: *To be an effective warning device, an emergency warning system produces bright light that can be hazardous to your eyesight when viewed at a close range. Do not stare directly into the lights at a close range, or permanent damage to your eyesight may occur.*

7. Test the lights for proper operation.

Figure 1 Message Board/light bar (driver side)



290A7838

Getting Technical Support and Service

For technical support and service, please contact:

Service Department
Federal Signal Corporation
Phone: 1-800-433-9132
Fax: 1-800-343-9706
Email: empserviceinfo@fedsig.com
www.fedsig.com

Getting Repair Service

The Federal Signal factory provides technical assistance with any problems that cannot be handled locally.

Any units returned to Federal Signal for service, inspection, or repair must be accompanied by a Return Material Authorization (RMA). Obtain a RMA from a local Distributor or Manufacturer's Representative.

Provide a brief explanation of the service requested, or the nature of the malfunction.

Address all communications and shipments to the following:

Federal Signal Corporation
Service Department
2645 Federal Signal Drive
University Park, IL 60484-3167

Ordering Replacement Parts

To order replacement parts, call Customer Support at 1-800-264-3578, 7 a.m. to 5 p.m., Monday through Friday (CT) or contact your nearest distributor.

Limited Warranty

This product is subject to and covered by a limited warranty, a copy of which can be found at www.fedsig.com/SSG-Warranty. A copy of this limited warranty can also be obtained by written request to Federal Signal Corporation, 2645 Federal Signal Drive, University Park, IL 60484, email to info@fedsig.com or call +1 708-534-3400.

This limited warranty is in lieu of all other warranties, express or implied, contractual or statutory, including, but not limited to the warranty of merchantability, warranty of fitness for a particular purpose and any warranty against failure of its essential purpose.



2645 Federal Signal Drive
University Park, Illinois 60484-3167

www.fedsig.com

Customer Support
Police/Fire-EMS: 800-264-3578 • +1 708 534-3400
Work Truck: 800-824-0254 • +1 708 534-3400
Technical Support: 800-433-9132 • +1 708 534-3400

© Copyright 2020-2021 Federal Signal Corporation
All product names or trademarks are properties of their respective owners.