



FEDERAL SIGNAL
Safety and Security Systems

Models HL10-HDKIT and HL15-HDKIT HighLighter® Elite or HighLighter Micro Tow Wing Light Mounting Kit

Installation Instructions

25500888

Rev. A0 1123

Printed in U.S.A.

© Copyright 2023 Federal Signal Corporation

Las instrucciones en español comienzan en la página 9
Pour voir ce manuel en français, allez à www.fedsig.com

Limited Warranty

This product is subject to and covered by a limited warranty, a copy of which can be found at www.fedsig.com/SSG-Warranty. A copy of this limited warranty can also be obtained by written request to Federal Signal Corporation, 2645 Federal Signal Drive, University Park, IL 60484, email to info@fedsig.com or call +1 708-534-3400.

This limited warranty is in lieu of all other warranties, express or implied, contractual or statutory, including, but not limited to the warranty of merchantability, warranty of fitness for a particular purpose and any warranty against failure of its essential purpose.



FEDERAL SIGNAL
Safety and Security Systems

2645 Federal Signal Drive
University Park, Illinois 60484

www.fedsig.com

Customer Support

Police/Fire-EMS: 800-264-3578 • +1 708 534-3400

Work Truck: 800-824-0254 • +1 708 534-3400

Technical Support 800-433-9132 • +1 708 534-3400

All trademarks are property of their respective owners.

Safety Message to Installers of Warning Light Equipment

⚠ WARNING

People's lives depend on your proper installation and servicing of Federal Signal products. It is important to read and follow all instructions shipped with this product and the original product. Listed below are some other important safety instructions and precautions you should follow:

- To properly install this light, you must have a good understanding of automotive electrical procedures and systems, along with proficiency in the installation and use of safety warning equipment.
- Do not install equipment or route wiring in the deployment path of an airbag.
- If a vehicle seat is temporarily removed, verify with the vehicle manufacturer if the seat needs to be recalibrated for proper airbag deployment.
- When drilling into a vehicle structure, ensure that both sides of the surface are clear of anything that could be damaged.
- Locate the light control so the VEHICLE and CONTROL can be operated safely under all driving conditions.
- Do not attempt to activate or deactivate the light control while driving in a hazardous situation.
- Frequently inspect the light to ensure that it is operating properly and that it is securely attached to the vehicle.
- This product contains high-intensity LEDs. Do not stare directly into the lights at a close range, or permanent damage to your eyesight may occur.
- Refer to the instructions packed with related products for additional precautions and information.
- File these instructions in a safe place and refer to them when maintaining and/or reinstalling the product.

Failure to follow all safety precautions and instructions may result in property damage, serious injury, or death.

Introduction

This publication describes how to mount the HighLighter Elite and HighLighter Micro with one bolt using the Tow Wing Light Bracket. The kit includes both pieces of the bracket, mounting hardware, and an extended wire harness. To complete the installation, refer to the wiring/programming instructions included with the HighLighter.

Unpacking the Kit

After unpacking the kit, inspect it for damage that may have occurred in transit. If it has been damaged, do not attempt to install or operate it. File a claim immediately with the carrier, stating the extent of damage. Carefully check all envelopes, shipping labels, and tags before removing or destroying them. Ensure that the parts in the Kit Contents List are included in the package. If you are missing any parts, contact Customer Support at 1-800-264-3578, 7 a.m. to 5 p.m., Monday through Friday (CT).

Table 1 HL10-HDKIT Kit Contents

Qty.	Description
1	Wing Light Mounting Bracket
1	Bolt Spacer
1	1/2-13 x 3-1/2-inch Carriage Bolt
1	1/2-inch Flat Washer
1	1/2-inch Lock Washer
1	1/2-13 Hex Nut
5	#8 Hi-Low Plastic Screw
1	1/4-inch Cable Clamp

Table 2 HL15-HDKIT Kit Contents

Qty.	Description
1	Wing Light Mounting Bracket
1	Bolt Spacer
1	1/2-13 x 3-1/2-inch Carriage Bolt
1	1/2-inch Flat Washer
1	1/2-inch Lock Washer
1	1/2-13 Hex Nut
4	#10 Hi-Low Plastic Screw
1	#8 Hi-Low Plastic Screw
1	5/16-inch Cable Clamp

Wing Light Mounting the HighLighter Micro

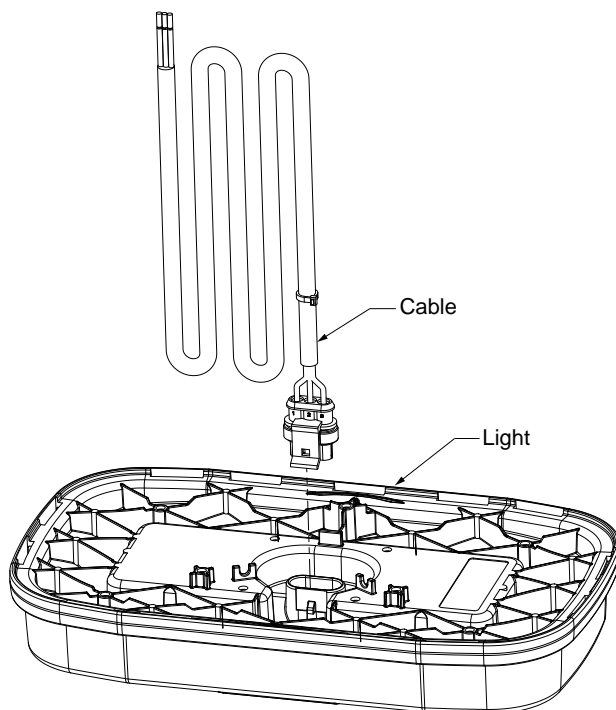
⚠ WARNING

AIRBAG DEPLOYMENT: Do not install equipment or route wiring in the deployment path of an airbag. Failure to observe this warning will reduce the effectiveness of the airbag or potentially dislodge the equipment, causing serious injury or death.

To wing light mount the HighLighter Micro:

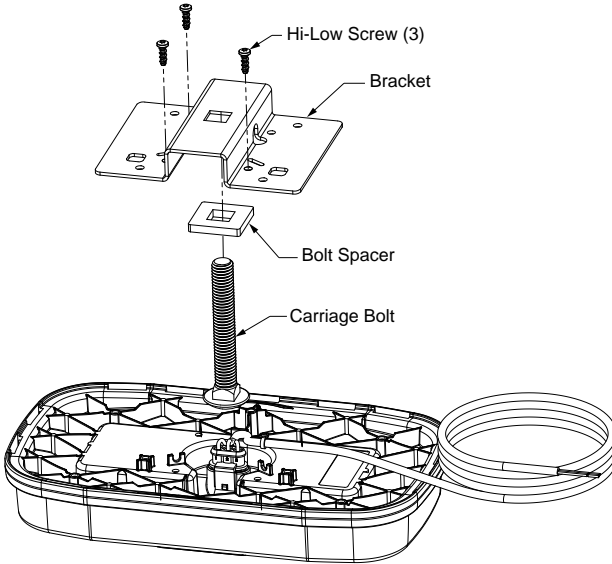
1. Plug the supplied cable into the bottom of the light. See Figure 1.

Figure 1 Connecting the HighLighter Micro Cable



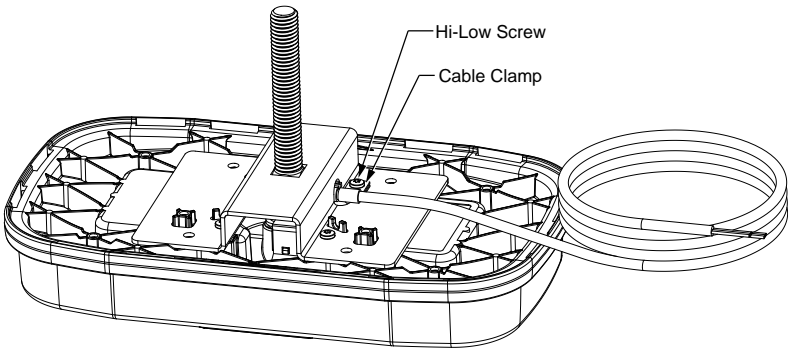
2. Load the carriage bolt and spacer into the bracket and feed the cable through the cable exit in the bracket. Attach the bracket to the bottom of the light, using three of the supplied #8 hi-low screws. See Figure 2.

Figure 2 Attaching the HighLighter Micro Wing Light Mount Bracket



3. Use one #8 hi-low screw to secure the cable with the supplied cable clamp. See Figure 3.

Figure 3 Securing the HighLighter Micro Cable Clamp



4. Attach the light to the mounting surface using the supplied 1/2-inch washer, lock washer, and nut.
5. Refer to the HighLighter Micro manual for wire connections.

Wing Light Mounting the HighLighter Elite

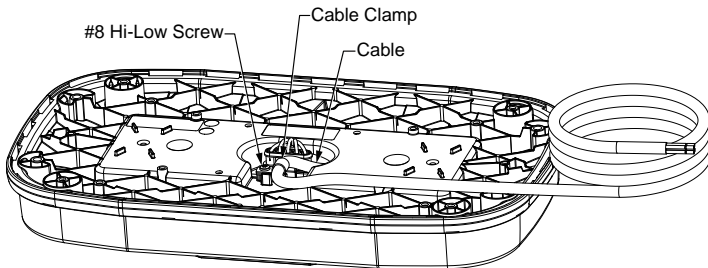
⚠ WARNING

AIRBAG DEPLOYMENT: Do not install equipment or route wiring in the deployment path of an airbag. Failure to observe this warning will reduce the effectiveness of the airbag or potentially dislodge the equipment, causing serious injury or death.

To wing light mount the HighLighter Elite:

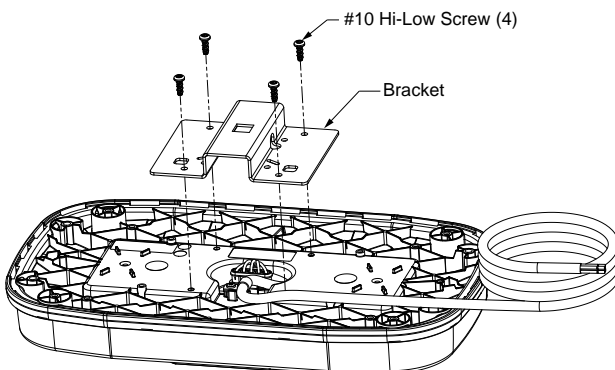
1. Plug the supplied cable into the bottom of the light.
2. Secure the cable with the cable clamp and one #8 hi-low screw. See Figure 4.

Figure 4 Securing the HighLighter Elite Cable Clamp



3. Load the carriage bolt and spacer into the bracket and attach the bracket to the bottom of the light using the supplied #10 hi-low screws. Take care to avoid pinching the cable under the bracket. See Figure 5.

Figure 5 Attaching the HighLighter Elite Wing Light Mount Bracket



4. Attach the light to the mounting surface using the supplied 1/2-inch washer, lock washer, and nut.
5. Refer to the HighLighter Elite manual for wire connections.

Getting Technical Support and Service

For technical support and service, please contact:

Service Department
Federal Signal Corporation
Phone: 1-800-433-9132
Email: empserviceinfo@fedsig.com

Getting Repair Service

The Federal Signal factory provides technical assistance with any problems that cannot be handled locally.

Any units returned to Federal Signal for service, inspection, or repair must be accompanied by a Return Material Authorization (RMA). Obtain an RMA from a local Distributor or Manufacturer's Representative.

Provide a brief explanation of the service requested or the nature of the malfunction.

Address all communications and shipments to the following:

Federal Signal Corporation
Service Department
2645 Federal Signal Drive
University Park, IL 60484-3167



FEDERAL SIGNAL
Safety and Security Systems

2645 Federal Signal Drive
University Park, Illinois 60484
www.fedsig.com

Customer Support
Police/Fire-EMS: 800-264-3578 • +1 708 534-3400
Work Truck: 800-824-0254 • +1 708 534-3400
Technical Support 800-433-9132 • +1 708 534-3400