

25500358 Rev. A0 0816

## Safety Message to Installers of Warning Light Equipment

### **▲ WARNING**

People's lives depend on your proper installation and servicing of Federal Signal products. It is important to read and follow all instructions shipped with this product and the original product. In addition, listed below are some other important safety instructions and precautions you should follow:

- To properly install the lighting and siren systems, you must have a good understanding of automotive systems, along with proficiency in the installation and use of safety warning equipment.
- Do not install equipment or route wiring in the deployment path of an airbag.
- If a vehicle seat is temporarily removed, verify with the vehicle manufacturer if the seat needs to be recalibrated for proper airbag deployment.
- You should frequently inspect the light and siren systems to ensure that it is operating properly and that it is securely attached to the vehicle.
- When drilling into a vehicle structure, be sure that both sides of the surface are clear of anything that could be damaged.
- Refer to the instructions packed with related products for additional precautions and information.
- Do not stare directly into the lights at a close range or permanent damage to your eyesight may occur.
- All effective sirens and horns produce loud sounds (120 dB) that may cause permanent hearing loss. Always minimize your exposure to the sound of the siren and horn and wear hearing protection. Do not sound the siren and horn indoors or in enclosed areas where you and others will be exposed to the sound.
- File these instructions in a safe place and refer to them when maintaining and/or reinstalling the product.

Failure to follow all safety precautions and instructions may result in property damage, serious injury, or death.

## Mounting Bracket for ES100C and IMPAXX®, MicroPulse™ Lights

This publication has instructions for using the Model ESBL-RAM16 bracket kit to mount the ES100C and/or IMPAXX IPX600B, IPX300 or MicroPulse MPS600, MPS600U, MPS1200, MPS1200U, and MPSW9 lights in the upper grille of the 2016 RAM SSV. **NOTE:** For electrical installation instructions, refer to the Installation and Maintenance Instructions included with the siren and lighthouse.

## Unpacking the Kit

After unpacking the kit, inspect it for damage that may have occurred in transit. If it has been damaged, do not attempt to install or operate it. File a claim immediately with the carrier, stating the extent of damage. Carefully check all envelopes, shipping labels, and tags before removing or destroying them.

## Mounting Instructions for the Combination ES100C and Lights Bracket

---

Ensure that the parts in the KIT CONTENTS LIST are included in the package. Disposal of all shipping materials must be carried out in accordance with national and local codes and standards. If you are missing any parts, contact Customer Support at 1-800-264-3578, 7 a.m. to 5 p.m., Monday through Friday (CT).

**Table 1** Model ESBL-RAM16 mounting kit

| Qty. | Description                             | Part Number |
|------|---|-------------|
| 1    | Bracket, ES100C, IPX-MPS, Grille, 16RAM | 856701741   |
| 4    | Screw, 6-32, Phillips, Pan, SS          | 7000491-08  |
| 4    | Nut, 6-32 KEPS™, SS                     | 7058A046    |
| 2    | Split Lock Washer                       | 7074A020    |
| 2    | 5/16-18 Bolt                            | 7002A005-14 |

### Installing the Brackets

#### **⚠ WARNING**

**AIRBAG DEPLOYMENT:** Do not install equipment or route wiring in the deployment path of an airbag. Failure to observe this warning will reduce the effectiveness of the airbag or potentially dislodge the equipment, causing serious injury or death.

#### **NOTICE**

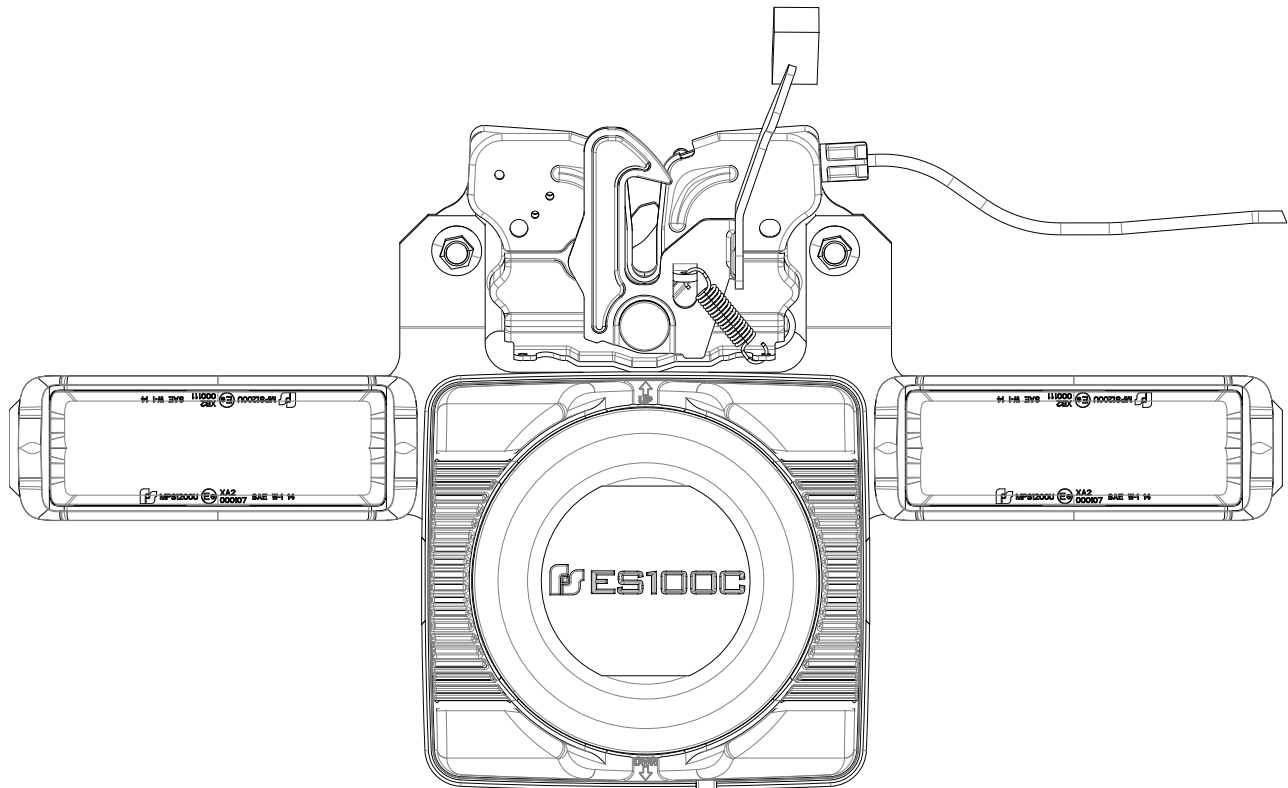
**DRILLING PRECAUTION:** When drilling holes, check the area you are drilling into to be sure you do not damage vehicle components. All drilled holes should be deburred and all sharp edges should be smoothed. All wire routings going through drilled holes should be protected by a grommet or convolute/split loom tubing.

**IMPORTANT:** Plan all cable routing before the installation.

To install the speaker and lights:

1. Mount the speaker to the bracket with the 5/16" bolts and lock washers.
2. Mount the lights to the bracket. The IPX600B uses hardware supplied with the lighthouse. The IPX300 and MicroPulse use the 6-32 screws and KEPS nuts in the ESBL-RAM16 kit.
3. Remove the upper radiator cover according to instructions in the manufacturer's service manual to access the hood latch. Remove the four upper grille bolts.
4. Mark the position of the hood latch and/or lightly clamp it in place. Remove one of the bolts securing the hood latch.
5. See Figure 1. Pull the grille slightly forward and slide the assembled bracket behind the grille. Put the bolt removed in Step 4 through the bracket and latch, and then finger tighten. Let the assembly dangle. Remove the other bolt securing the hood latch, swing the assembly into position and finger tighten the second bolt. Verify latch is in the original position, and then tighten both bolts.
6. Complete the installation according to the instructions provided with the speaker and/or lighthouses.

**Figure 1** Bracket assembly installed



## Getting Technical Support

For technical support, please contact:  
Federal Signal Corporation  
Service Department  
Phone: 1-800-433-9132  
Fax: 1-800-343-9706  
Email: [empserviceinfo@fedsig.com](mailto:empserviceinfo@fedsig.com)

## Getting Repair Service

The Federal Signal factory provides technical assistance with any problems that cannot be handled locally. Any units returned to Federal Signal for service, inspection, or repair must be accompanied by a Return Material Authorization (RMA). Obtain a RMA from a local Distributor or Manufacturer's Representative. Provide a brief explanation of the service requested, or the nature of the malfunction.

Address all communications and shipments to the following:

Federal Signal Corporation  
Service Department  
2645 Federal Signal Dr.  
University Park, IL 60484-3167

## **Ordering Replacement Parts**

To order replacement parts, call Customer Support at 1-800-264-3578, 7 AM to 5 PM, Monday through Friday (CT) or contact your nearest distributor.



2645 Federal Signal Drive, University Park, IL 60484-3167  
Phone: 708-534-3400 • 800-264-3578 • Fax: 800-682-8022  
[www.fedsig.com](http://www.fedsig.com)

IMPAXX is a registered trademark of Federal Signal Corp.  
MicroPulse is a trademark of Federal Signal Corp.  
KEPS is a trademark of ITW Shakeproof.