

COM7/COM9

LED Scene Lights



COM7



COM9

FEATURES

COM7

- High-powered LED scene light
- Compact design for effective floodlight solution
- 890 effective lumen output
- Models available with Black, Chrome, or White polycarbonate bezels
- Weatherproof and vibration resistant
- 12/24 Vdc
- Five-year warranty

COM9

- High-powered LED scene light
- Curved design to maximize floodlight coverage
- 1460 effective lumen output
- Models available with Black or White die-cast aluminum housing
- Weatherproof and vibration resistant
- 12/24 Vdc
- Five-year warranty

A Versatile and Effective Flood Light Solution

COM7/COM9 Scene Lights provide downward projected light, illuminating the ground around emergency and utility vehicles, while also providing optimized light output.

Built to Stand Up to the Most Punishing Conditions

COM7/COM9 Scene Lights are equipped with reverse polarity protection which protects the lighting under electrostatic discharge. Both models are made of a die-cast aluminum base, creating efficient heat reduction and highly durable LED capability.

COM7 Scene lights are available with Black, Chrome, or White polycarbonate bezels and COM9 Scene lights are available in Black or White die-cast aluminum housing.

APPROVALS

- IP67

HOW TO ORDER

LED Color
W C

Lens Color
C

COM7-B	COM7 Scene Light, Black bezel
COM7-C	COM7 Scene Light, Chrome bezel
COM7-W	COM7 Scene Light, White bezel
COM9-B	COM9 Scene Light, Black housing
COM9-W	COM9 Scene Light, White housing



COM7 Scene Light models are available with Black, Chrome, or White polycarbonate bezels

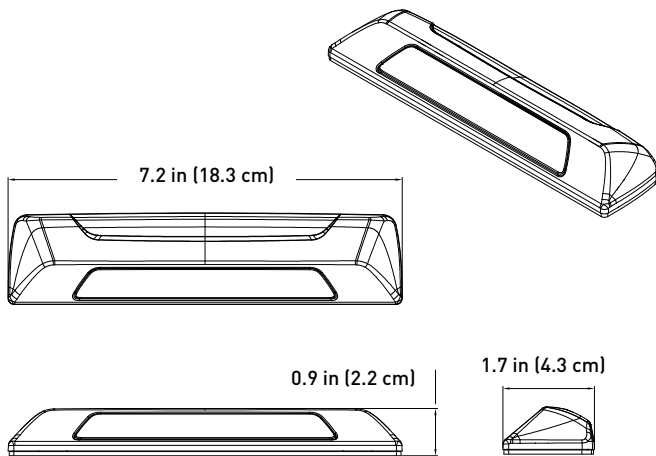
SPECIFICATIONS

	COM7	COM9
VOLTAGE	12/24 Vdc	
CURRENT DRAW AT 12 Vdc	1.2 A	1.12 A
CURRENT DRAW AT 24 Vdc	0.6 A	0.56 A
LUMENS	890 lm	1460 lm
OPERATING TEMP	-22° to +149° F (-30° to +65° C)	-40° to +140° F (-40° to +60° C)
PHYSICAL SPECIFICATIONS		
LENGTH	7.2 in (18.3 cm)	8.9 in (22.7 cm)
WIDTH	1.7 in (4.3 cm)	1.6 in (4.2 cm)
HEIGHT	0.9 in (2.2 cm)	2.1 in (5.2 cm)
SHIP WEIGHT		
	0.2 in (0.1 kg)	0.9 lb (0.4 kg)



COM9 Scene Lights available with Black or White die-cast aluminum housing

COM7 MODELS



COM9 MODELS

