

Safety Message to Installers of Warning Light Equipment

⚠ WARNING

People's lives depend on your proper installation and servicing of Federal Signal products. It is important to read and follow all instructions shipped with this product and the original product. In addition, listed below are some other important safety instructions and precautions you should follow:

- To properly install the lighting system, you must have a good understanding of automotive systems, along with proficiency in the installation and use of safety warning equipment.
- Do not install equipment or route wiring in the deployment path of an airbag.
- If a vehicle seat is temporarily removed, verify with the vehicle manufacturer if the seat needs to be recalibrated for proper airbag deployment.
- Do not stare into the lights at close range, or permanent damage to your eyesight may occur,
- When drilling into a vehicle structure, ensure that both sides of the surface are clear of anything that could be damaged.
- Refer to the instructions packed with related products for additional precautions and information.
- You should frequently inspect the light system to ensure that it is operating properly and that it is securely attached to the vehicle.
- File these instructions in a safe place and refer to them when maintaining and/or reinstalling the product.
- Do not stare directly into the lights at a close range or permanent damage to your eyesight may occur.

Failure to follow all safety precautions and instructions may result in property damage, serious injury, or death.

Product Overview

This publication has instructions for using the CNSM-RBK1 Mounting Kit to mount the CN SignalMaster™ in the rear of the Ford® Interceptor Utility.

NOTE: For electrical installation instructions, refer to the Installation and Maintenance Instructions packed with the lighthouse.

Unpacking the Kit

After unpacking the kit, inspect it for damage that may have occurred in transit. If it has been damaged, do not attempt to install or operate it. File a claim immediately with the carrier, stating the extent of damage. Carefully check all envelopes, shipping labels, and tags before removing or destroying them. Ensure that the parts in the Kit Contents List are included in the package. If you are missing any parts, contact Customer Support at 1-800-264-3578, 7 a.m. to 5 p.m., Monday through Friday (CT).

Table 1 Kit contents

Qty.	Description	Part Number
2	Bracket Assembly, Upper Mounting	857300075
2	Bracket Assembly, Lower Mounting	857300076
2	Screw, 1/4"-20, Hex Head	7002A000-12
8	Screw, #10, Type B, Pan Head, Six Lobe, Black	7011246-06
2	Washer, 1/4", Flat	7072A025

Mounting the CN SignalMaster

IMPORTANT: Plan all cable routing before the installation.

⚠ WARNING

AIRBAG DEPLOYMENT: Do not install equipment or route wiring in the deployment path of an airbag. Failure to observe this warning will reduce the effectiveness of the airbag or potentially dislodge the equipment, causing serious injury or death.

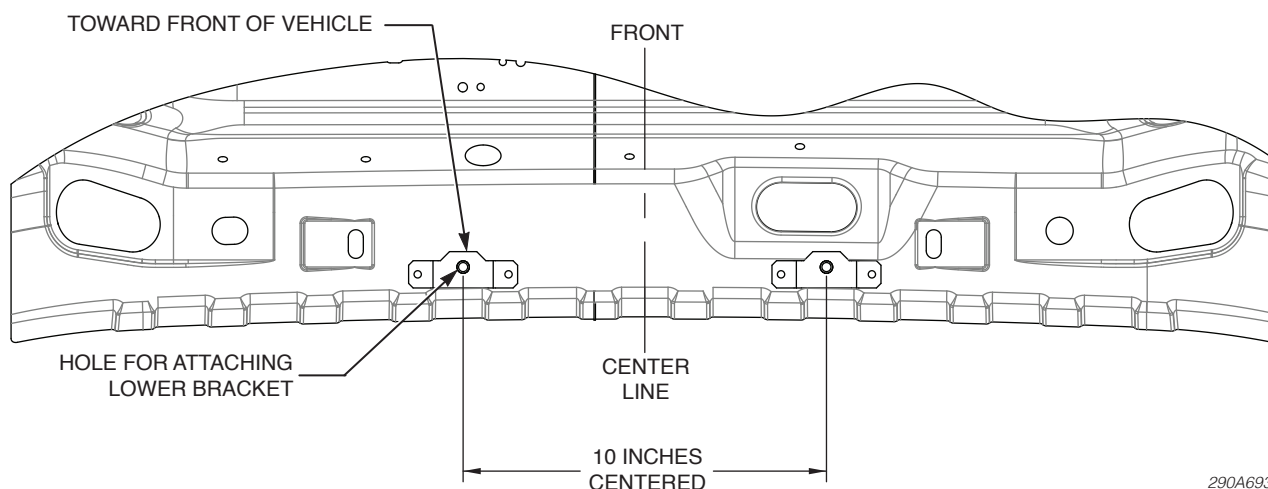
NOTICE

DRILLING PRECAUTIONS: Check the area into which you are drilling to be sure you do not damage vehicle components. All drilled holes should be deburred and all sharp edges should be smoothed. All wire routings going through drilled holes should be protected by a grommet or convolute/split loom tubing.

To mount the light bar:

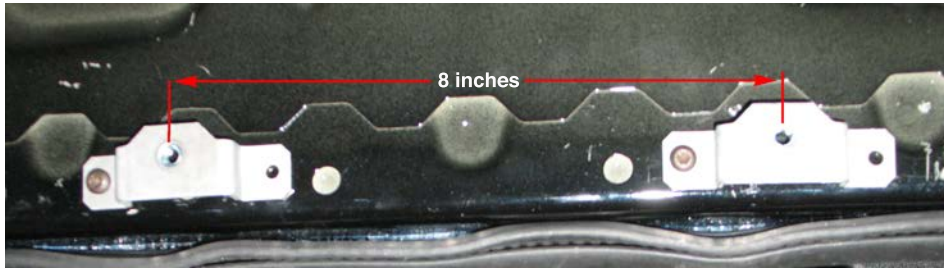
1. To access the rear roof support, disassemble the vehicle per the manufacturer’s service manual.
2. See Figure 1A for 2013-2019 vehicles, or Figure 1B for 2020 vehicles. Position the upper bracket assemblies as shown and mark the four mounting holes.

Figure 1A Upper mounting brackets positioned on rear roof support (2013-2019)



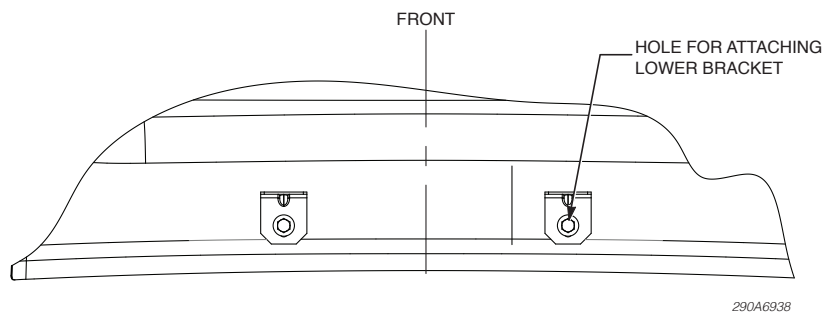
290A6937

Figure 1B Upper mounting brackets positioned on rear roof support (2020)



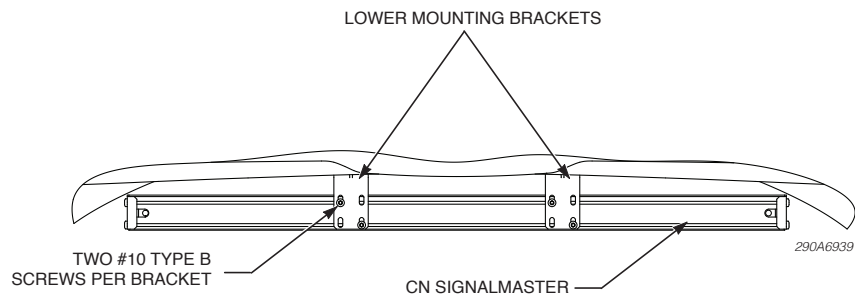
3. Drill two 0.159" diameter (#21 drill) holes for each bracket.
4. Mount the brackets to the rear roof support with four #10 Type B screws and reinstall the headliner.
5. See Figure 3. With a scratch awl locate the holes in the upper bracket assemblies and pierce the headliner.
6. Mount the lower brackets to the upper bracket assemblies with the 1/4"-20 hex-head screws and flat washers.

Figure 2 Holes for attaching lower brackets to upper brackets



7. See Figure 3. Mount the lower brackets to the upper bracket assemblies with the 1/4"-20 hex-head screws and flat washers.

Figure 2 CN SignalMaster mounted to lower bracket assemblies



8. Mount the CN SignalMaster to the lower brackets with the #10 Type B screws (2 per bracket).
9. Connect the CN SignalMaster as described in the instructions provided with the SignalMaster.
10. Test the lights for proper operation.
11. Reassemble vehicle per the manufacturer's service manual.

IMPORTANT: Frequently inspect the light bar to ensure that all fasteners and brackets are tight.

Getting Technical Support

For technical support, please contact:

Federal Signal Corporation
Service Department
Phone: 1-800-433-9132
Email: empserviceinfo@fedsig.com

Getting Repair Service

The Federal Signal factory provides technical assistance with any problems that cannot be handled locally. Any product returned to Federal Signal for service, inspection, or repair must be accompanied by a Return Material Authorization (RMA). Obtain a RMA from a local Distributor or Manufacturer's Representative. Provide a brief explanation of the service requested, or the nature of the malfunction.

Address all communications and shipments to the following:

Federal Signal Corporation
Service Department
2645 Federal Signal Dr.
University Park, IL 60484-3167

Limited Warranty

This product is subject to and covered by a limited warranty, a copy of which can be found at www.fedsig.com/SSG-Warranty. A copy of this limited warranty can also be obtained by written request to Federal Signal Corporation, 2645 Federal Signal Drive, University Park, IL 60484, email to info@fedsig.com or call +1 708-534-3400.

This limited warranty is in lieu of all other warranties, express or implied, contractual or statutory, including, but not limited to the warranty of merchantability, warranty of fitness for a particular purpose and any warranty against failure of its essential purpose.



FEDERAL SIGNAL
Safety and Security Systems

2645 Federal Signal Drive
University Park, Illinois 60484-3167

www.fedsig.com

Customer Support
Police/Fire-EMS: 800-264-3578 • +1 708 534-3400
Work Truck: 800-824-0254 • +1 708 534-3400
Technical Support: 800-433-9132 • +1 708 534-3400

© Copyright 2012-2019 Federal Signal Corporation

Ford Police Interceptor is a registered trademark of Ford Motor Company.
All other product names or trademarks are properties of their respective owners.