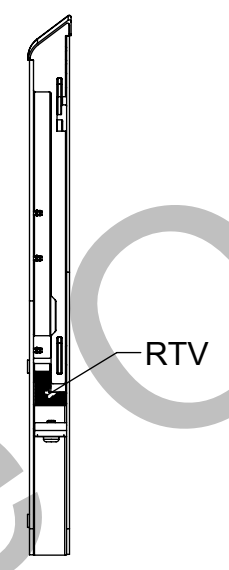
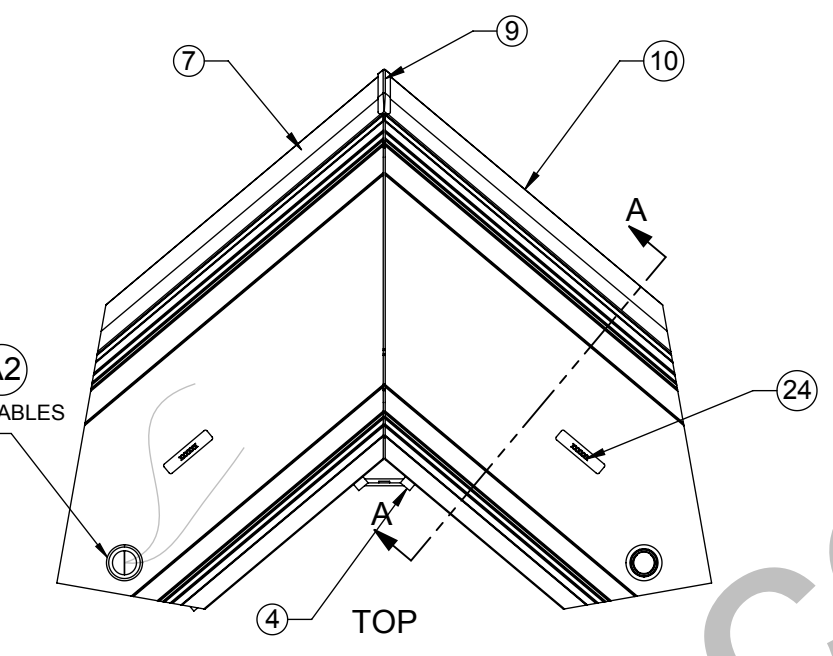
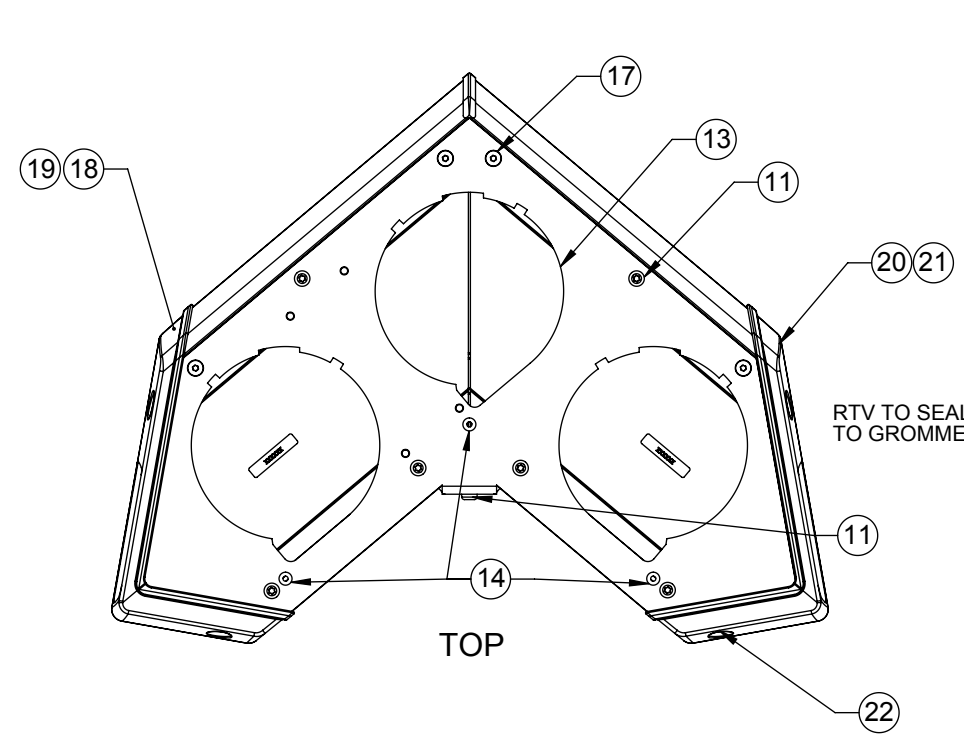


D

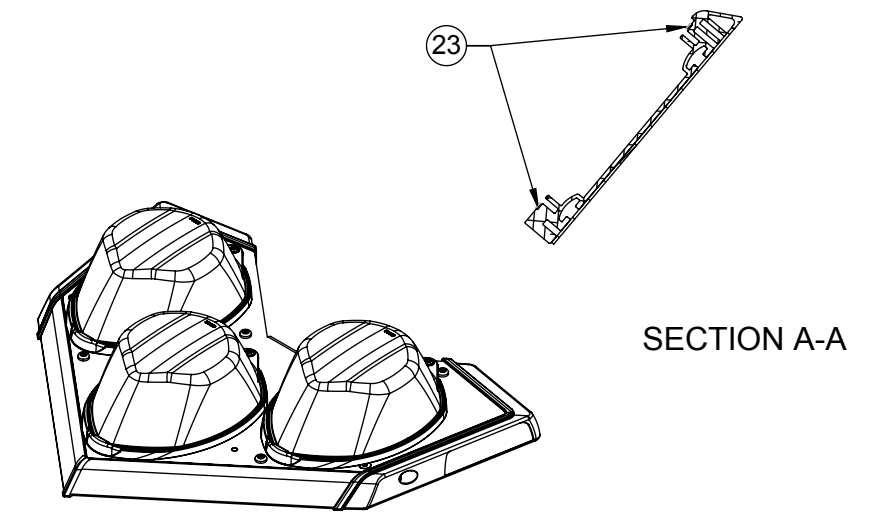
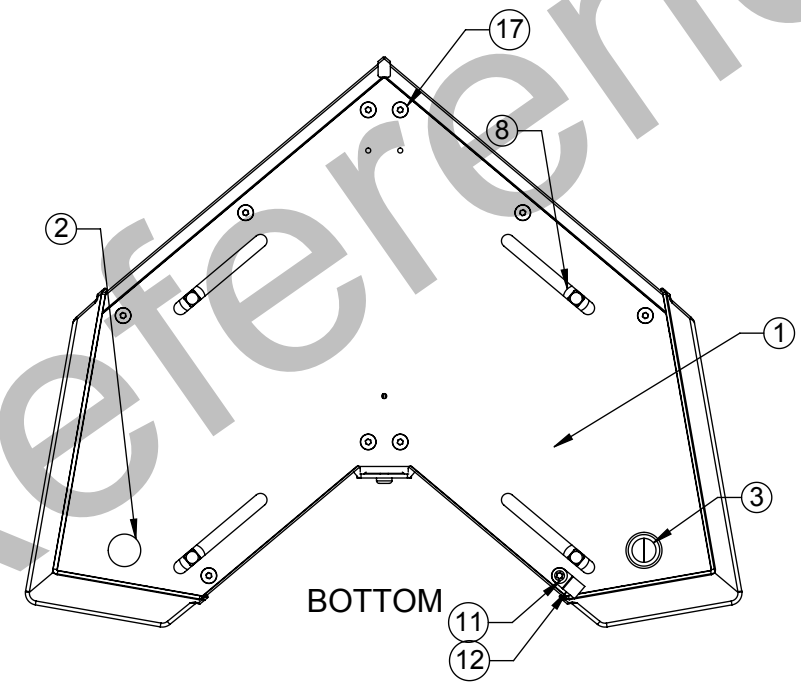
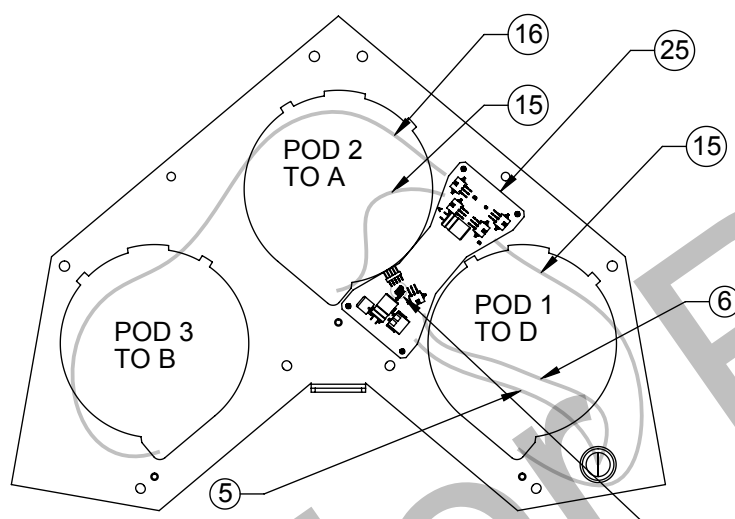
C

B

A



REV	ITEM NO.	QTY.	PART NO.	DESCRIPTION
	1	1	8652207	BASEPLATE, VSLR3
	2	1	231313	PLUG,.875 HOLE
	3	1	228134	GROMMET,SPLIT WEB
	4	2	8572140	GASKET
	5	1	1751615-252	CABLE,PWR/GND
	6	1	1751616-252	CABLE,SIGNAL
	7	1	8652129-03	EXTR,LH,VSLR3
	8	4	7004A024-16	CARRIAGE BOLT,3/8-16,S.S.
	9	1	8652156	SEAL, CENTER
	10	1	8652130-03	EXTR,RH,VSLR3
A1	11	8	70000142-08	SCR,1/4-20 TT,PAN TORX,STL.BLK ZN
	12	1	150202	CLAMP,3/8 CABLE,1/4 HOLE
	13	1	8652279	PLATE ASSY, TOP,VSLR3
	14	3	8652275	WASHER,SEALING
	15	2	1751566-12	CABLE,POD
	16	1	1751566-25	CABLE,POD
	17	13	7011245-08	SCR,1/4-20 TT,FLAT,TORX,SS,BLK
	18	1	8652141	GASKET,LH END CAP
	19	1	8652143	END CAP,LH
	20	1	8652142	GASKET,RH END CAP
	21	1	8652144	END CAP,RH
	22	4	7011161-16	SCR,1/4-20 TT,PAN TORX,SS,BLK
	23	3.5'	R42-02-12	GASKET STRIP
	24	2	1613098	LABEL,SN,SERVICE
	25	1	2005742	PCBA, CTRL,VSLR SPLT
NS	0.01		R70-08-02	RTV



SHT	OPTION	DESCRIPTION
1	VSLR3-S	SHELL
SEE 8652190	NVO-POD	POD

SHEET: 1 OF 1
UNITS: INCHES

FEDERAL SIGNAL 2645 FEDERAL SIGNAL DRIVE UNIVERSITY PARK, IL 60484	SAFETY & SECURITY GROUP	Tolerances Unless Otherwise Specified IN[mm] -----±0.5° Angles -----±0.015[±0.4] x.xx[x.x] -----±0.005[±0.12] x.xxx[x.xx] -----±0.005[±0.12]		NAME <h3>FINAL ASSY,VSLR3</h3>	
		MATERIAL N/A		FINISH N/A	
A2 SEE ECR# 2035 05/07/14 CPM A1 SEE ECR# 1974 04/21/14 CPM A REL FOR PROD ECR# 12-8727 02/03/12 CPM		SCALE AT B SIZE: 1:6		REMOVE BURRS, SHARP CORNERS AND EDGES	
REV. CHANGE DATE BY		DRAWN BY: CPM CHKD. BY: GRF DRAWING NUMBER 8652236A		DATE: 01/23/12 DATE: 01/23/12 UNIT OF MEASURE PC	

D

C

B

A