

D

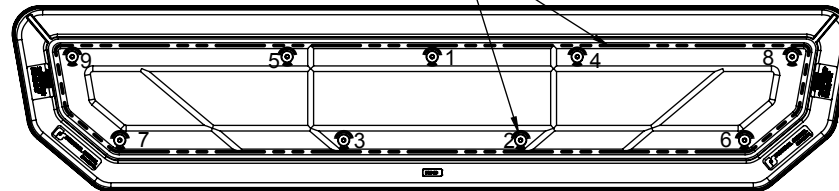
C

B

A

REV	ITEM NO.	QTY.	PART NO.	DESCRIPTION
	1	1	864900257-44	EXTR,44" HWY BAR
	2	9	7004031-14	BOLT,1/4-20, CARR, DOGPOINT
	3	1	864900253	BASE,44" HWY BAR
	4	3	7011246-08	SCREW,#10 TYPE B, TORX, SS BLK
	5	1	7075A031	WASHER, EXT TTH, #10
	6	1	T3001218-10-001	T-WIRE
	7	1	228134	GROMMET,SPLIT WEB
	8	1	T300210-02-027	T-WIRE,23FT
	9	1	T300210-10-029	T-WIRE,23FT
	10	1	1751357-02	CABLE,CAT5,25'
	11	1	139532-02	HOUSING,RECPT,MINIFIT SR
	12	1	2005653	PCBA, CTRL BD,VALR (CONFIG)
	13	4	8651104	REFLECTOR, ANGLED,LH,INSTALLED
	14	4	8651105	REFLECTOR, ANGLED,RH,INSTALLED
	15	12	8651110	REFLECTOR,SPREAD, MULTI
	16	2	8651111	REFLECTOR, NARROW, MULTI
	17	4	1461861-05	HARNES,ROC,VALR
	18	1	INT00034	PCBA,DE,INTG44 (CONFIG)
	19	1	20000068	PCBA,DI,INTG (CONFIG)
	20	1	20000069	PCBA,PI,INTG (CONFIG)
	21	1	INT00035	PCBA,PE,INTG44 (CONFIG)
	22	1	8651116	SEAL,EXTRUDED,VALR44
	23	2	1613098	LABEL, SERVICE SN, VALOR
	24	1	864900254	DOME,44" HWY BAR
	25	1	864900259	COVER,44"HWY BAR
	26	9	7065071	NUT,BARREL, 1/4-20 SS, BLK
	27	9	7072301	WASHER, NYLON, 5/16 FLAT
	28	9	7067016	O-RING,AS568A-011
	29	2	864900434	NAMEPLATE,INTEGRITY
	30	2	1612358	LABEL, WARNING,BRIGHT LIGHT
A1	31	1	81462327-02	LABEL,NAMEPLATE,PATENT
	NS	0.1	R70-08-02	RTV

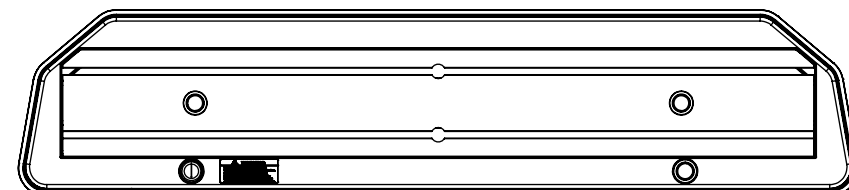
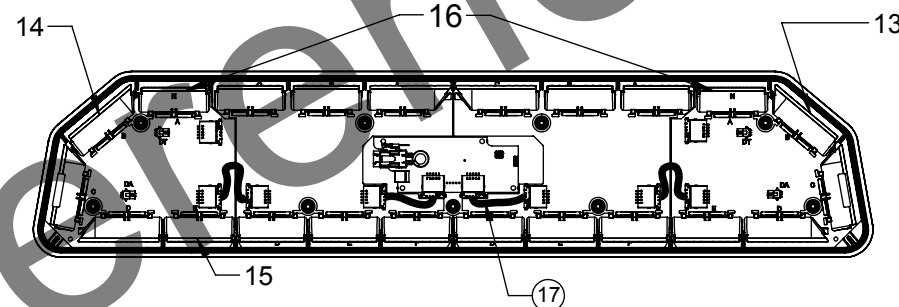
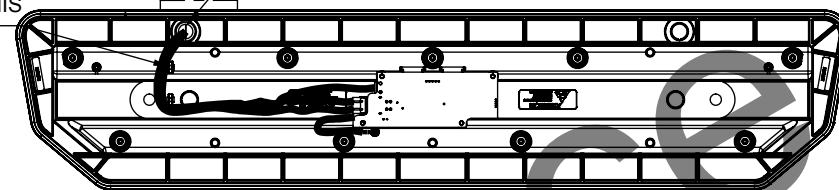
APPLY 1/8" BEAD OF RTV TO PERIMETER GROOVE ON THE UNDERSIDE OF COVER, AND AROUND BOSSES ON DOME BEFORE ASSEMBLING



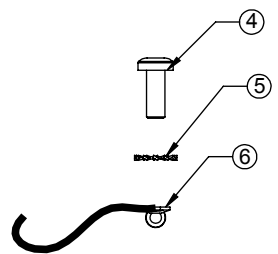
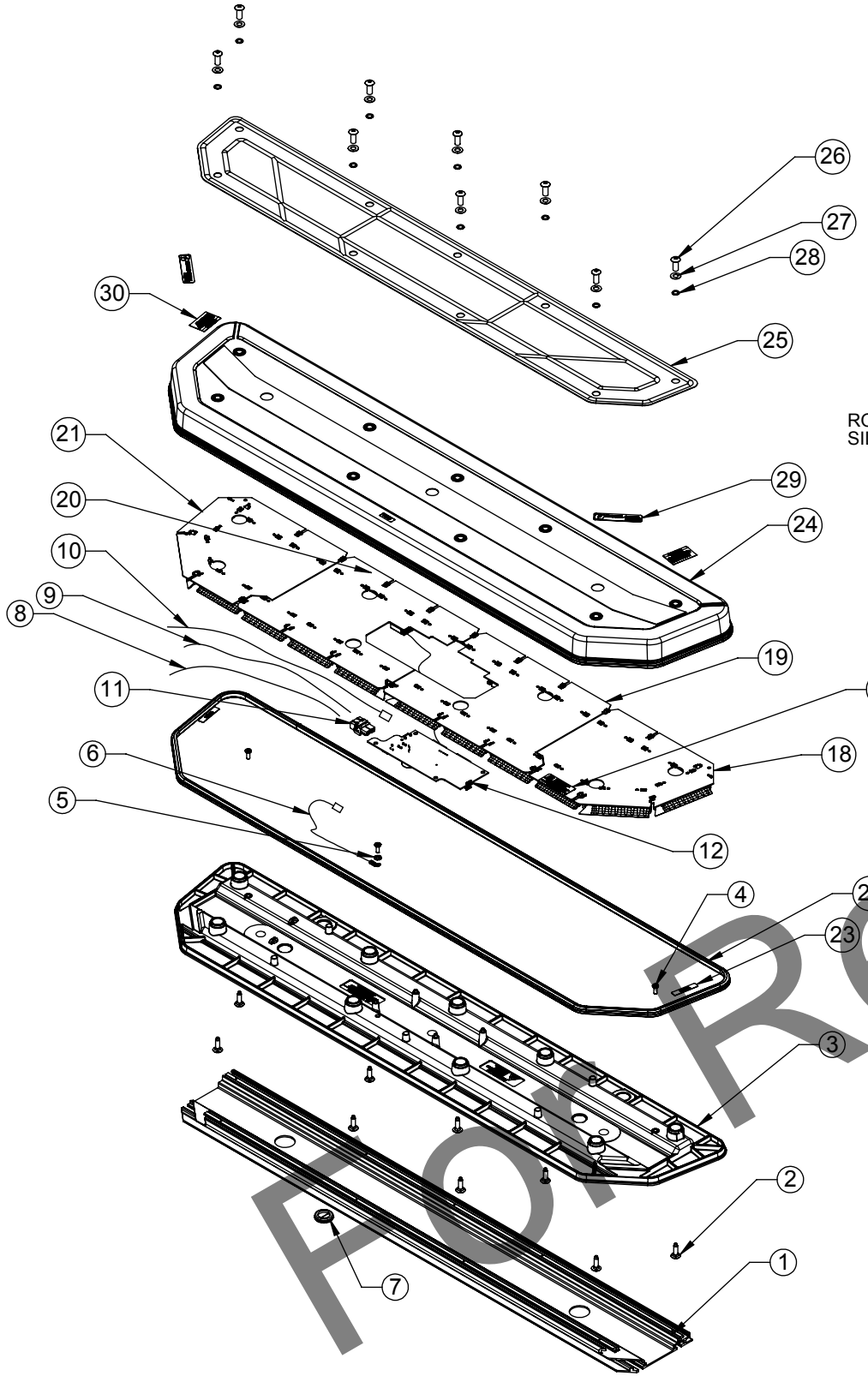
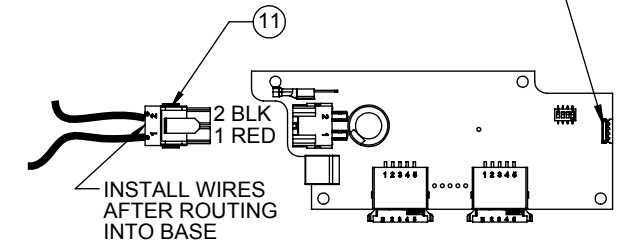
TORQUE SEQUENCE  
TORQUE 16-24 IN-LBS

LOCATE DOME SEAL JOINT IN THIS AREA  
SEAL WITH RTV

ROUTE CABLES THIS SIDE OF TIEDOWN



PROGRAM PER ATO



SHEET: 1 OF 2  
UNITS: INCHES

<b>FEDERAL SIGNAL</b> 2645 FEDERAL SIGNAL DRIVE UNIVERSITY PARK, IL 60484		<b>SAFETY &amp; SECURITY GROUP</b>	Tolerances Unless Otherwise Specified IN[mm] ----- ±0.5° Angles ----- ±0.015 [±0.4] x.xx[x.x] ----- ±0.005 [±0.12] x.xxx[x.xx] ----- ±0.005 [±0.12]	NAME <h2>FINAL ASSY, 44" INTEGRITY</h2>
MATERIAL **		FINISH **		
A2 SEE ECR# 1389 11/04/13 CPM A1 SEE ECR# 1257 10/08/13 CPM A0 REL TO PROD ECR# 1175 09/23/13 CPM		SCALE AT B SIZE: <b>1:10</b> THIRD ANGLE PROJECTION		
REV. CHANGE DATE BY		REMOVE BURRS, SHARP CORNERS AND EDGES DRAWN BY: <b>CPM</b> CHKD. BY: <b>GRF</b> DRAWING NUMBER <b>864900263A</b> DATE: <b>09/20/13</b> DATE: <b>09/20/13</b>		

D

C

B

A

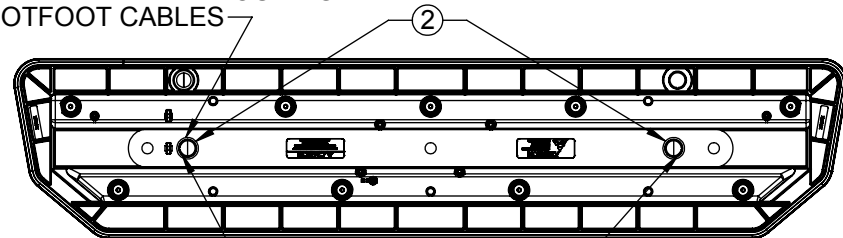
D

C

B

A

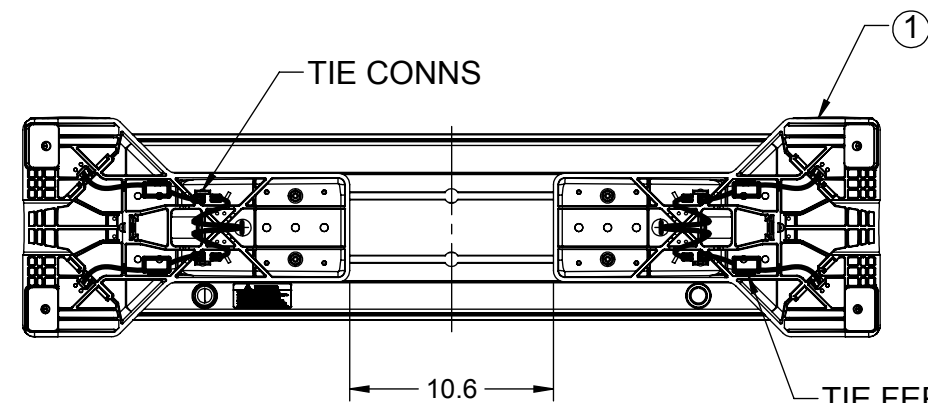
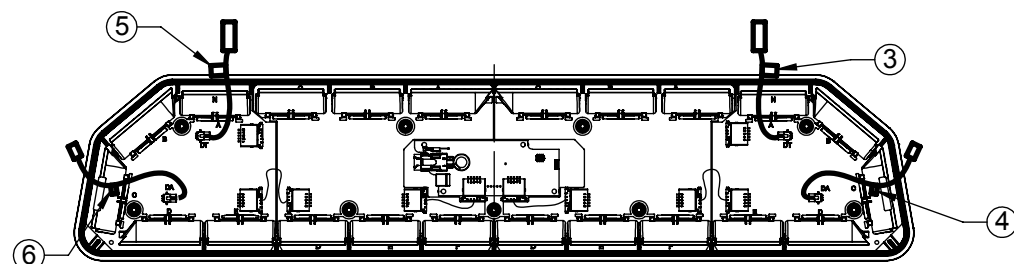
SEAL GROMMETS WITH RTV AFTER ROUTING HOTFOOT CABLES



KNOCK OUT, INSTALL GROMMET

ITEM NO.	INO-HFHOOK QTY.	INO-HFPERM QTY.	PART NO.	DESCRIPTION
1	2	--	864900262	HOTFOOT,HOOK,INTG
	--	2	864900262-01	HOTFOOT,PERM,INTG
2		2	228134	GROMMET,WEB
3		2	1612318-03	LABEL,DT
4		2	1612318-04	LABEL,DA
5		2	1612318-05	LABEL,PT
6		2	1612318-06	LABEL,PA

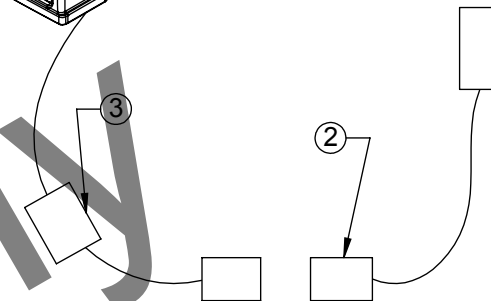
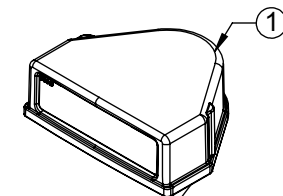
2



TIE CONNS

10.6

TIE FERRITES HERE



2

REV	ITEM NO.	QTY.	PART NO.	DESCRIPTION
	1	1	SEE TABLE	LED ASSY,SPCTRLX HOTFOOT
A2	2	1	1751583-17	CABLE,HOTFOOT,INTG
A1	3	1	11300062	FERRITE,CLAMP ON,TYPE 31
A1	NS	1	150A146	CABLE TIE, BLACK,UV STAB.

PART NO.	ITEM NO.1	DESCRIPTION
INO-HFA	864900272-A	LED ASSY,AMB,HWY BAR
INO-HFB	864900272-B	LED ASSY,BLU,HWY BAR
INO-HFR	864900272-R	LED ASSY,RED,HWY BAR
INO-HFT	864900272-W	LED ASSY,WHT,HWY BAR
INO-HFL	864900272-W	LED ASSY,WHT,HWY BAR
INO-HFG	864900272-G	LED ASSY,GRN,HWY BAR
INO-HFBR	864900272-BR	LED ASSY,B/R,HWY BAR
INO-HFBW	864900272-BW	LED ASSY,B/W,HWY BAR
INO-HFRW	864900272-RW	LED ASSY,R/W,HWY BAR
INO-HFBA	864900272-BA	LED ASSY,B/A,HWY BAR
INO-HFRA	864900272-RA	LED ASSY,R/A,HWY BAR
INO-HFWA	864900272-WA	LED ASSY,W/A,HWY BAR
INO-HFBRW	864900272-BRW	LED ASSY,B/R/W,HWY BAR

For Reference

1

1

HOTFOOT

<b>FEDERAL SIGNAL</b> 2645 FEDERAL SIGNAL DRIVE UNIVERSITY PARK, IL 60484		<b>SAFETY &amp; SECURITY GROUP</b>	Tolerances Unless Otherwise Specified IN[mm] -----±0.5° Angles -----±0.015[±0.4] x.xx[x.x] -----±0.005[±0.12] x.xxx[x.xx] -----±0.005[±0.12]	NAME <b>FINAL ASSY, 44" INTEGRITY</b>
MATERIAL <b>**</b>		FINISH <b>**</b>		
REMOVE BURRS, SHARP CORNERS AND EDGES		SCALE AT B SIZE: <b>1:10</b>		
DRAWN BY: <b>CPM</b>		CHKD. BY: <b>GRF</b>		
DATE: <b>09/20/13</b>		DATE: <b>09/20/13</b>		
DRAWING NUMBER <b>864900263A</b>		UNIT OF MEASURE <b>PC</b>		
** SEE SHEET 1	***/**	***	DRAWING NUMBER <b>864900263A</b>	
REV. CHANGE	DATE	BY	DRAWING NUMBER <b>864900263A</b>	

SHEET: 2 OF 2  
UNITS: INCHES

D

C

B

A