

⚠ WARNING

To properly install this light, you must have a good understanding of automotive electrical procedures and systems, along with proficiency in the installation and use of safety warning equipment. Before installing this light, refer to the unabridged instructions for it (doc. no. 25500119), which are available online at www.fedsig.com. Print the online document and provide copies to the end users of this light, and to the personnel who will service this light.

CONTENTS

**Dual Color
 Corner LED**

LIGHT HEAD



FLASHER & CABLE



GASKET & SCREWS



BEZEL & FOAM



3M™ VHB™ Mounts*



NOTE: * Sold separately.

WIRING

- To +VDC for Color1 (fuse rating @ 1A): **RED & YELLOW**
 (Connect to external flasher for warning purpose.)
- To +VDC for Color2 (fuse rating @ 1A): **WHITE**
 (Connect to external flasher for warning purpose.)
- To Vehicle Chassis Ground: **BLACK**

CAUTION: When using with a 3rd party external flash controller, ensure the duty ratio of the flash pattern is less than 50%.

IN-LAMP INSTALLATION (Screw Mount w/ Gasket)

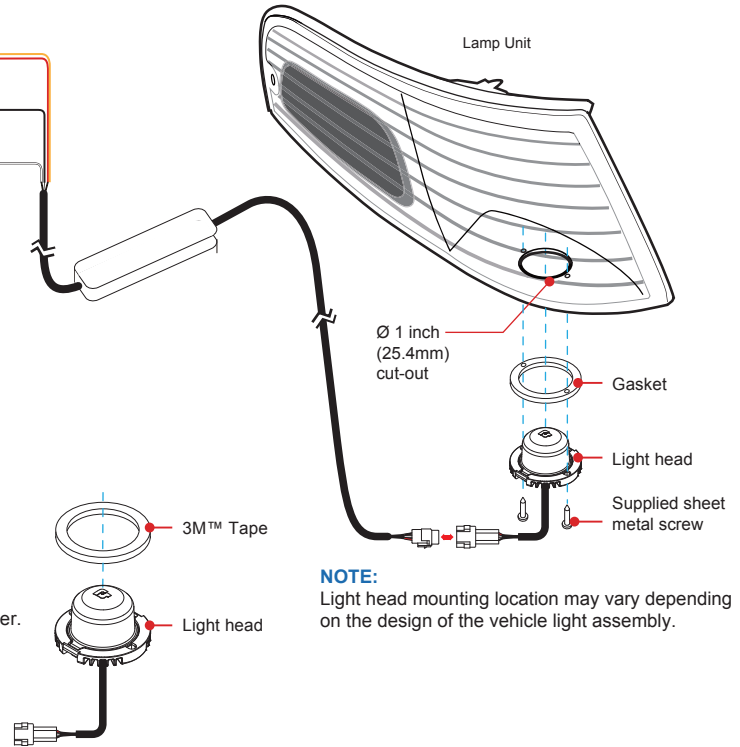
1. Remove the Corner/Head/Tail lamp assembly from the vehicle.
2. Select a location to mount the LED light head and drill a 1-inch (diameter) cut-out onto the lamp assembly.
3. Insert the LED light head through the gasket and the cut-out then secure with supplied screws.
4. Apply silicone around the cut-out (user-supplied) for better sealing and fit.

WARNING: Do NOT cover LED heat sink with silicone. This may cause LED overheating and void its warranty through misuse of product.

IN-LAMP INSTALLATION (Self-Adhesive)

1. Remove the Corner/Head/Tail lamp assembly from the vehicle.
2. Select a location to mount the LED light head and drill an 1-inch (diameter) cut-out onto the lamp assembly.
3. Clean and dry the surface around the cut-out with 50:50 mix of isopropyl alcohol and water.
4. Apply the 3M™ VHB™ Mount to LED light head and press it firmly for 30 seconds.
5. Remove the tape liner from the tape on the LED light head.
6. Insert the LED light head into the cut-out and press it firmly for 30 seconds.

NOTE: 1. 3M™ VHB™ Mount is sold separately.
 2. Full adhesion and bonding will be achieved after 72 hours at room temperature.

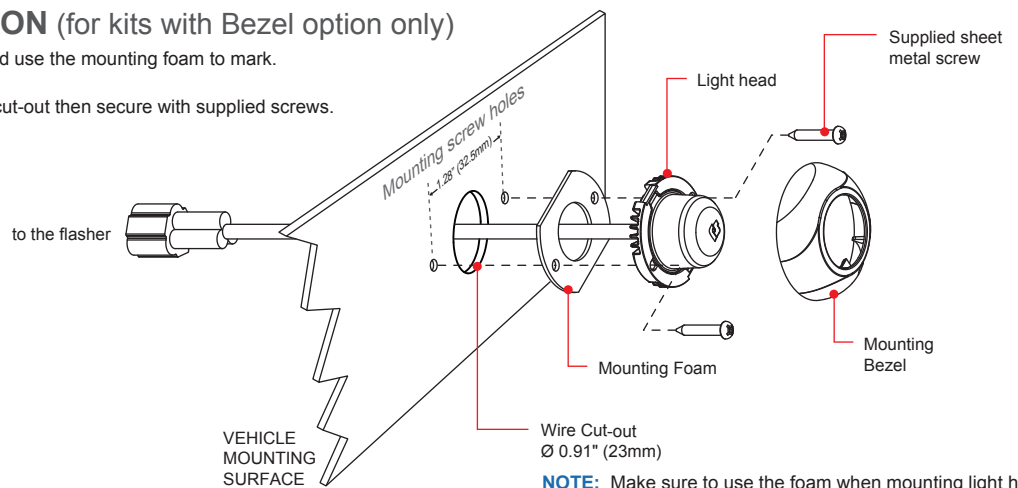


BEZEL MOUNT INSTALLATION (for kits with Bezel option only)

1. Select a location to mount the LED light head and use the mounting foam to mark.
2. Drill the mounting cut-out and screw holes.
3. Feed the cable through the mounting foam and cut-out then secure with supplied screws.
4. Mount the snap-on bezel onto the light head.



NOTE: For best performance, be sure to keep the horizontal lines of optics parallel to the upper and bottom edges of Federal Signal's logo before installation.



NOTE: Make sure to use the foam when mounting light head.

BEZEL REMOVAL

1. Apply pressure on both sides marked with arrows shown in the illustration. Please note the bezel surface pattern to press the correct area.
2. Lift the bezel to remove.

NOTE: Avoid multiple mount and removal of the bezel to prevent loose-fit.

